

**PINNACLE**

**MODULAR**  
SERIES >>

# SLIDING DOOR METAL CABINET

## 2090H x 1200W x 540Dmm

ITEM NO: GOS226

**Very Important:** Unpack the unit and confirm that you have all the parts listed. Assemble the unit on a solid, level surface. Avoid carpet. You will need the assistance of a second person during assembly.

**Safety tip:** For added safety and support we recommend you fix unit to a wall.

**You will need the following:** Phillips-head screwdriver and a rubber mallet.

**WARNING**

SERIOUS INJURY OR DEATH CAN BE CAUSED BY TOPPLING FURNITURE

TO HELP PREVENT A TIP-OVER:

•Anchor this product to a wall or other suitable surface with the provided "Tip over prevention kit". •Check anchors regularly

FOR MORE INFORMATION SEARCH: [www.productsafety.gov.au](http://www.productsafety.gov.au)

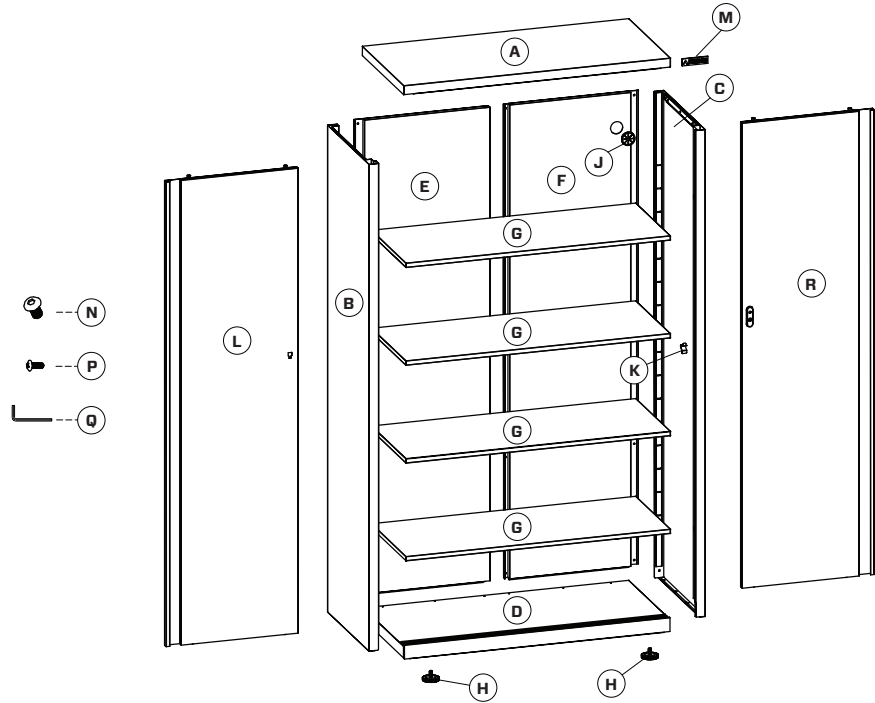
POWDER COATED  
**MATTE BLACK**

**40kg**  
PER SHELF

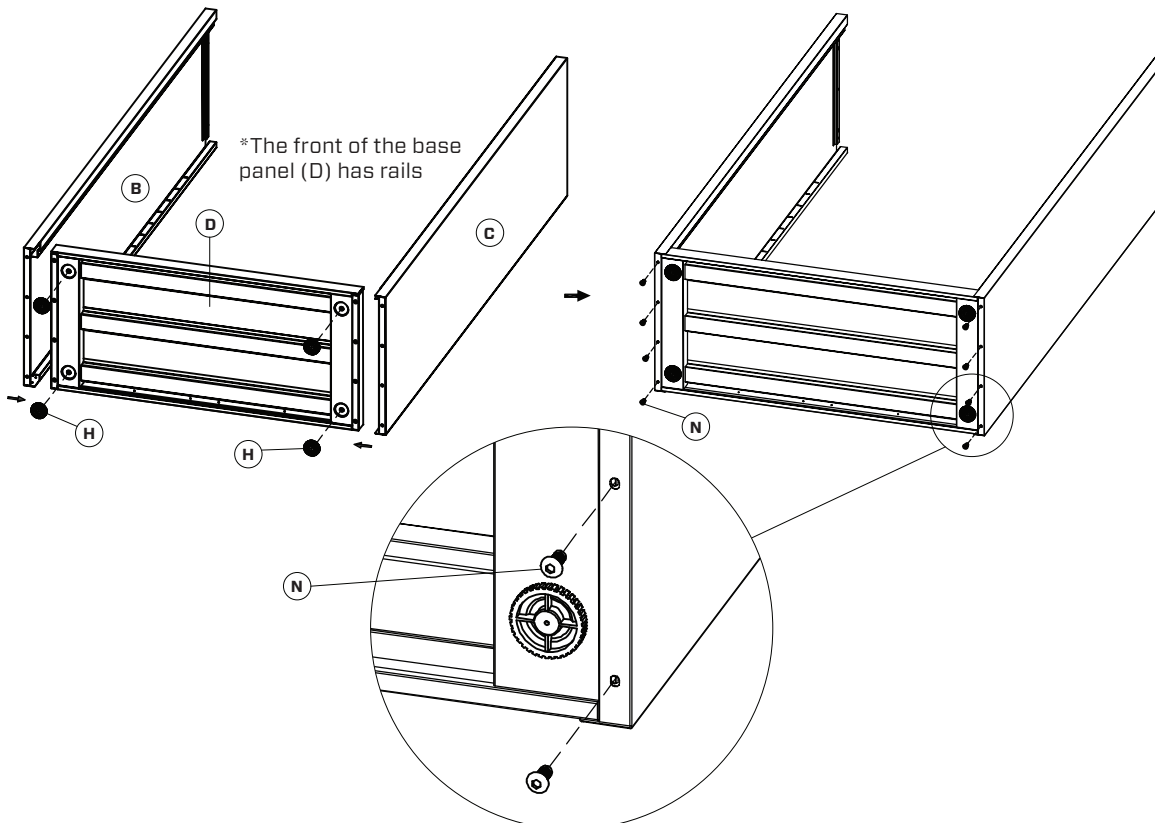
**SAFETY TIP:**

When assembling or installing this product wear protective gloves and eyewear.

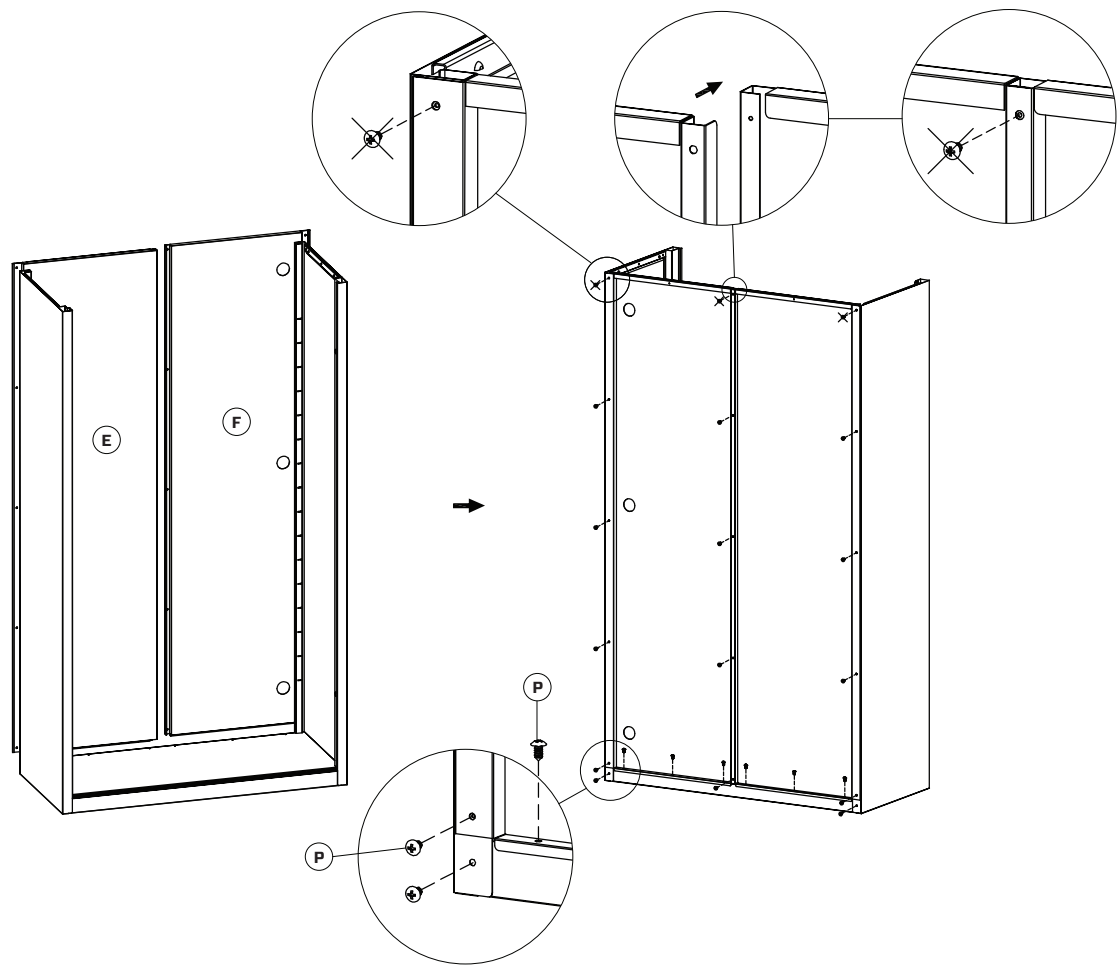
NO	PART NAME	PCS
(A)	Top panel	1PC
(B)	Left side panel	1PC
(C)	Right side panel	1PC
(D)	Base panel	1PC
(E)	Left back panel	1PC
(F)	Right back panel	1PC
(G)	Shelf	4PCS
(R)	Right door	1PC
(L)	Left door	1PC
(H)	Adjustable feet	4PCS
(J)	Wiring grommets	3PCS
(K)	Shelf support	16PCS
(M)	"Pinnacle" Logo	1PC
(N)	M6 x 13mm pan head bolt	8PCS
(P)	M4 x10mm Self tapping screw	31PCS
(Q)	4mm hex key	1PC



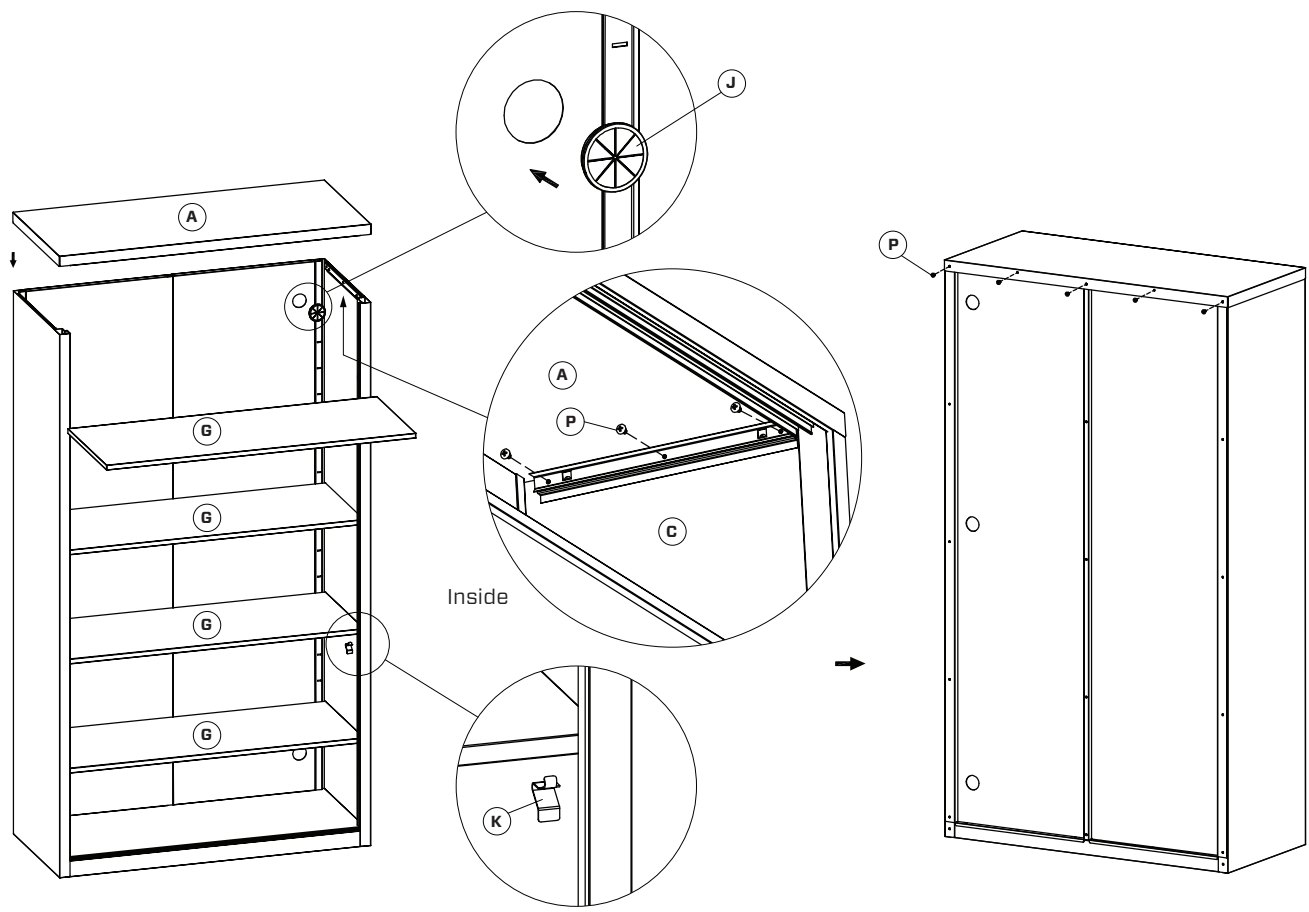
**Step 1**



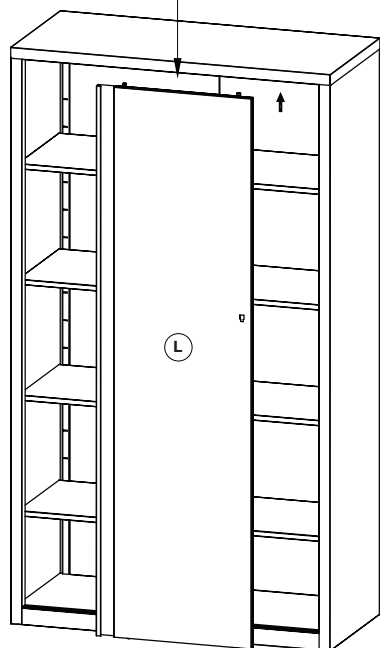
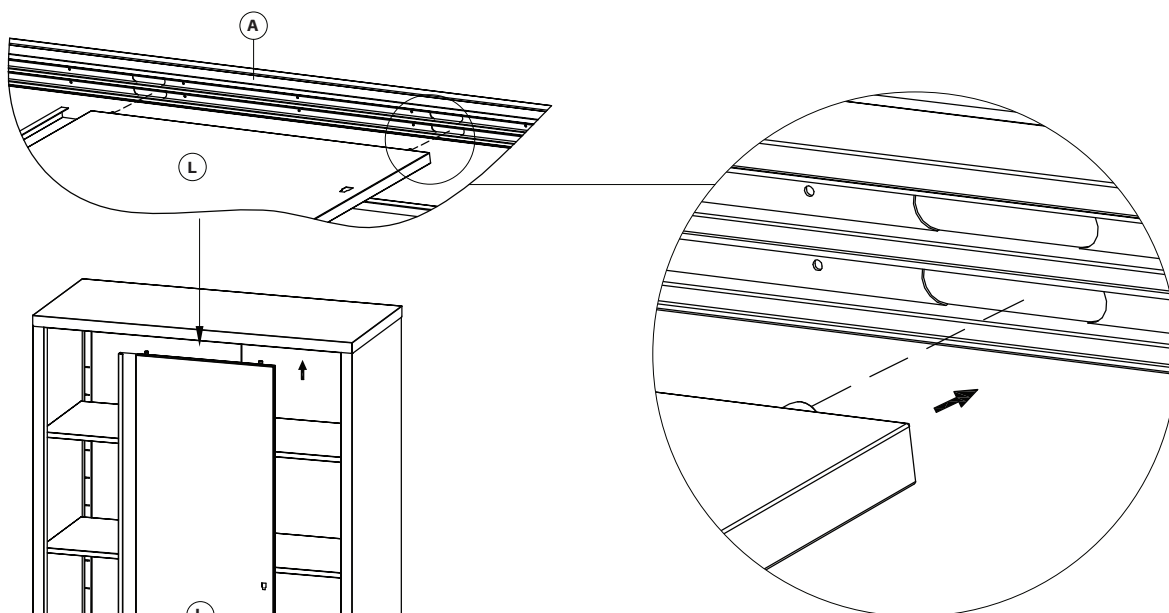
**Step 2**



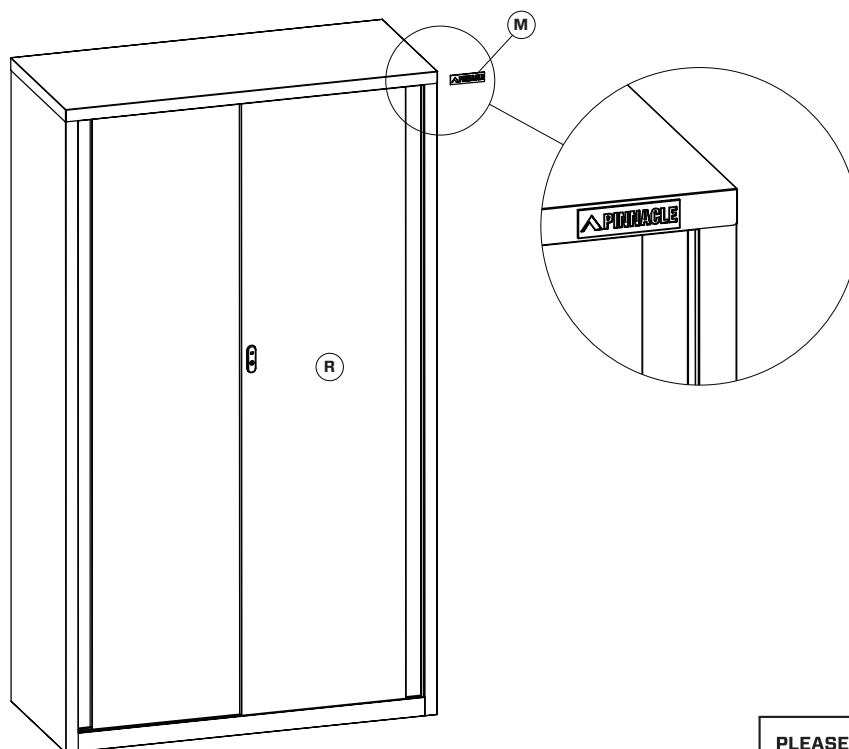
**Step 3**



**Step 4**



\*To ensure both doors bypass each other when sliding, first insert the left door (L) into the **top back** recess and then place the rollers onto the **bottom back** rail. Next, insert the right door (R) into the **top front** recess and then place the rollers onto the **bottom front** rail.



**PLEASE NOTE:** Refer to next page for attaching the provided Tip-over prevention kit.

**WARRANTY CONDITIONS:** Any claim under this warranty must be made within 1 year of the date of purchase of the product. To make a claim under this warranty, take the product (with proof of purchase) to any Bunnings store (for AUS customers see [www.bunnings.com.au](http://www.bunnings.com.au) and for NZ customers see [www.bunnings.co.nz](http://www.bunnings.co.nz) for store locations). Pinnacle bears reasonable, direct expenses of claiming under the warranty. You may submit details and proof of purchase to our support centre for consideration. The warranty covers manufacturer defects in materials, workmanship and finish under normal use. This warranty is provided in addition to other rights and remedies you may have under law. Our goods come with guarantees that cannot be excluded under the Australian consumer law or Consumer Guarantees Act 1993 (NZ). You are entitled to a replacement or refund for a major failure and compensation for any other reasonably foreseeable loss or damage. You are also entitled to have the goods repaired or replaced if the goods fail to be of acceptable quality and the failure does not amount to a major failure. This warranty excludes damage resulting from product misuse or product neglect, any modifications, additions or alterations to the product including the addition of extra shelves. Additions or modifications can compromise the structure and safety of the product. The warranty covers domestic use only and does not apply to commercial applications. This warranty is given by Pinnacle, ABN 87 614 496 196, 45-49 Whitfield Boulevard, Cranbourne West Vic 3977, 1800 349 776, Email: [support@pinnacle.net.au](mailto:support@pinnacle.net.au). Products sold in New Zealand are imported by Bunnings New Zealand. 'Pinnacle' is a trademark ©Pinnacle. Suitable for model number GOS226.

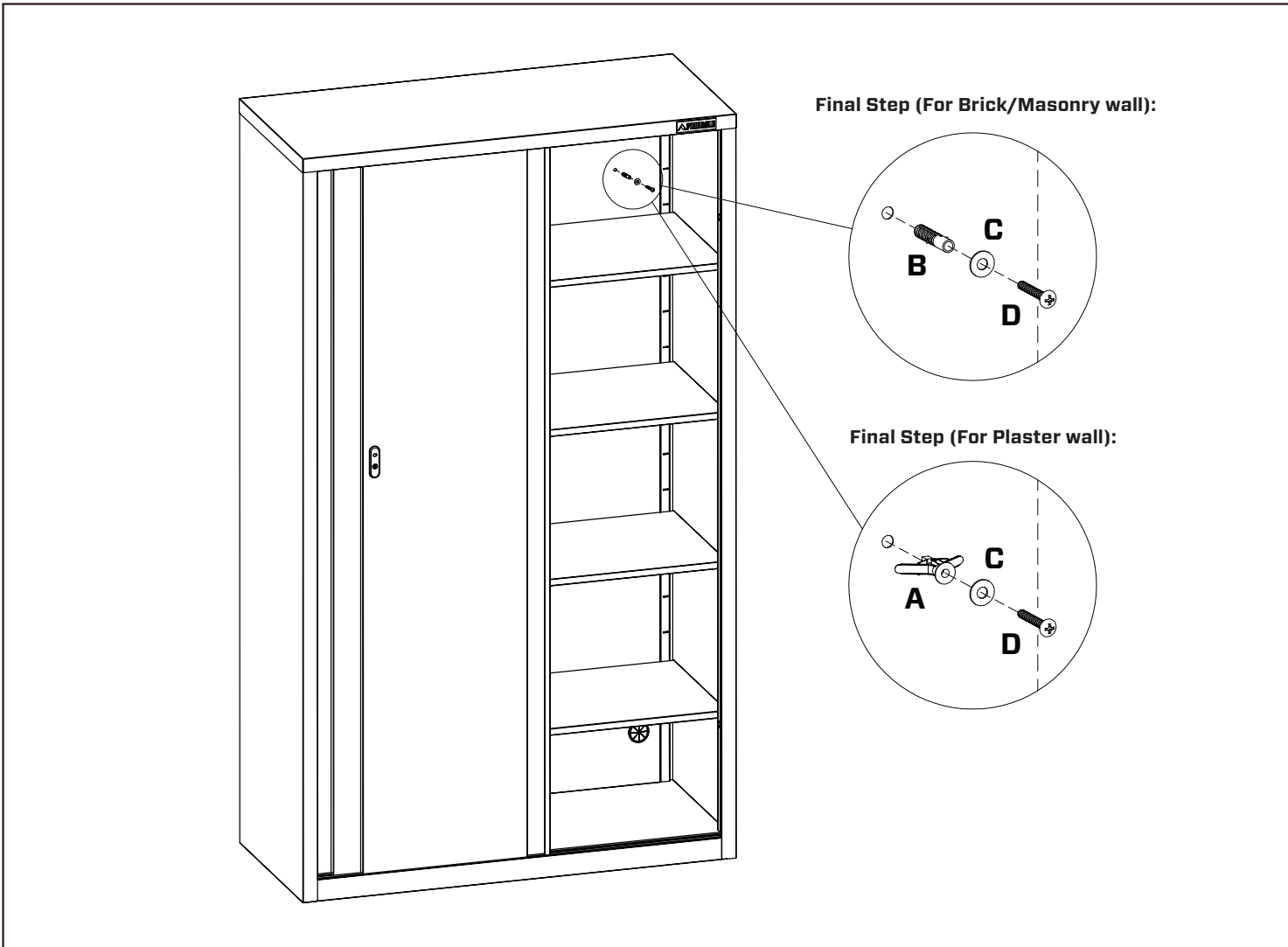
# TIP OVER PREVENTION KIT:

**PLEASE NOTE:** We strongly recommend that this product is permanently fixed to a wall. Please use the provided “Tip over prevention kit” to securely fix product to your wall.



**Parts list:**

<b>A x2</b>	<b>B x2</b>	<b>C x2</b>	<b>D x2</b>



**It is STRONGLY RECOMMENDED that you ANCHOR this product.**

Toppling furniture can cause serious injuries and death.

A “Tip over prevention kit” has been provided with this product to stop your furniture from tipping forward, it is strongly recommended that you **securely attach this product** to a wall or other solid surface using the provided fixings.

**IMPORTANT:** Regularly check that anchors are securely maintained. Stability of tall items may be affected by thick pile carpet or uneven floors.

**CAUTION:**

For your safety when attaching the anchor fixings, please note the following:

- Check for any electrical wires or plumbing inside the wall before drilling any holes (if you are unsure please seek professional advice from a qualified tradesperson)
- Walls are constructed from different materials, for example, masonry (solid brick) or plasterboard lined cavity walls (hollow). It is important that you use the appropriate wall fixings for your wall type.