

PINNACLE

MODULAR
SERIES >>

PEGBOARD BRACKET SET

1885H x 90Wmm

ITEM NO: GOS218

Very Important: Unpack the unit and confirm that you have all the parts listed. Assemble the unit on a solid, level surface. Avoid carpet. You will need the assistance of a second person during assembly.

Safety tip: For added safety and support we recommend you fix unit to a wall.

You will need the following: Provided Allen wrench.

WARNING

SERIOUS INJURY OR DEATH CAN BE CAUSED BY TOPPLING FURNITURE

TO HELP PREVENT A TIP-OVER:

- We recommend you anchor this product to a wall or other suitable surface.
- Check anchors regularly

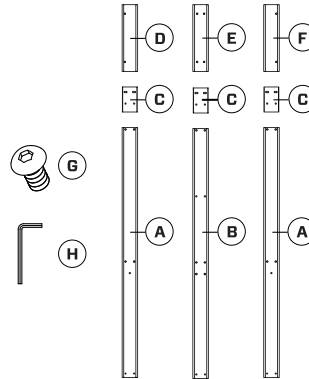
FOR MORE INFORMATION SEARCH: www.productsafety.gov.au

POWDER COATED
MATTE BLACK

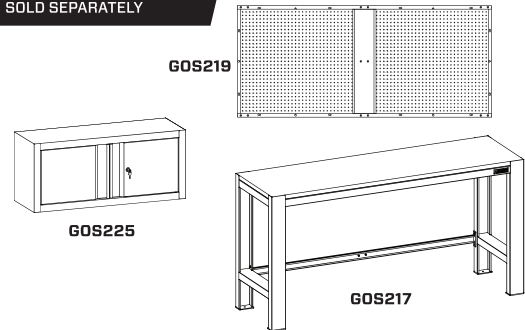
SAFETY TIP:

When assembling or installing this product wear protective gloves and eyewear.

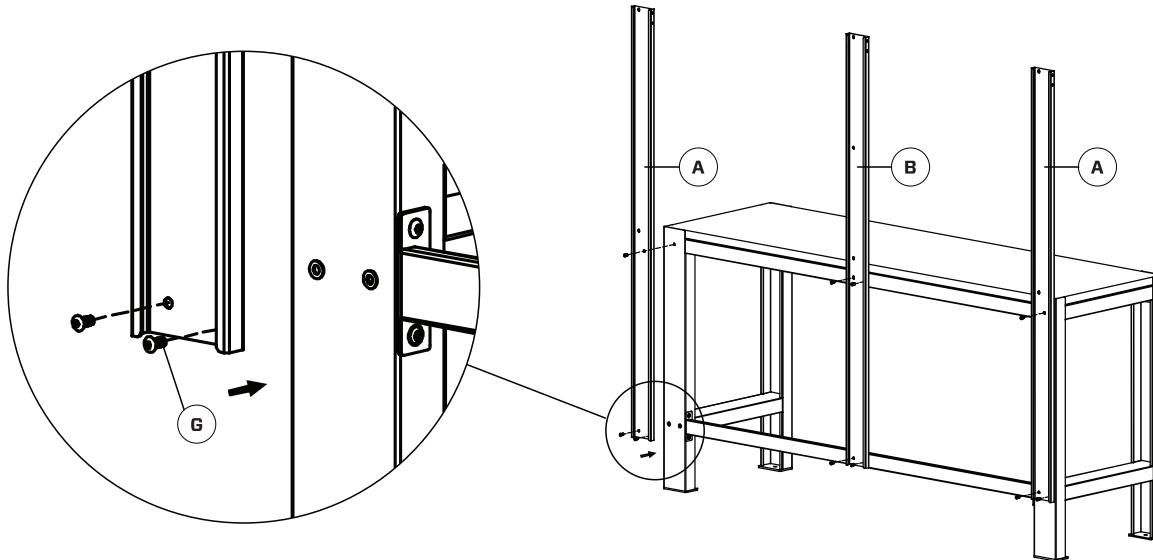
NO	PART NAME	PCS
(A)	Pegboard side bracket	2PC
(B)	Pegboard middle bracket	1PC
(C)	Beam connector	3PC
(D)	Left support beam for cabinet	1PC
(E)	Middle support beam for cabinet	1PC
(F)	Right support beam for cabinet	1PC
(G)	M6 x 13mm screw	56PC
(H)	4mm Allen wrench	1PC



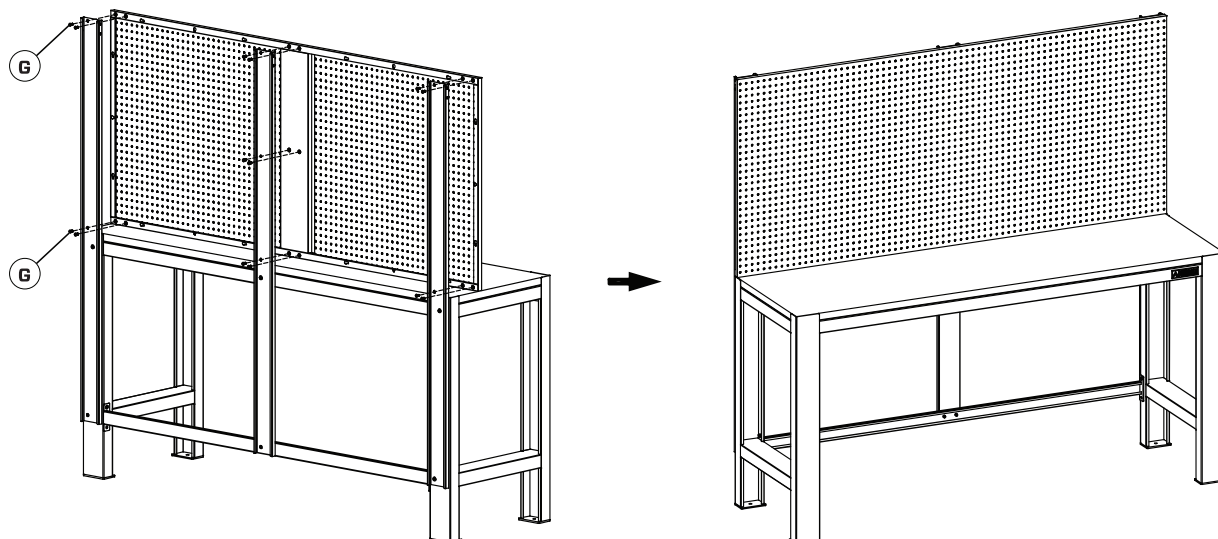
Optional Products
SOLD SEPARATELY



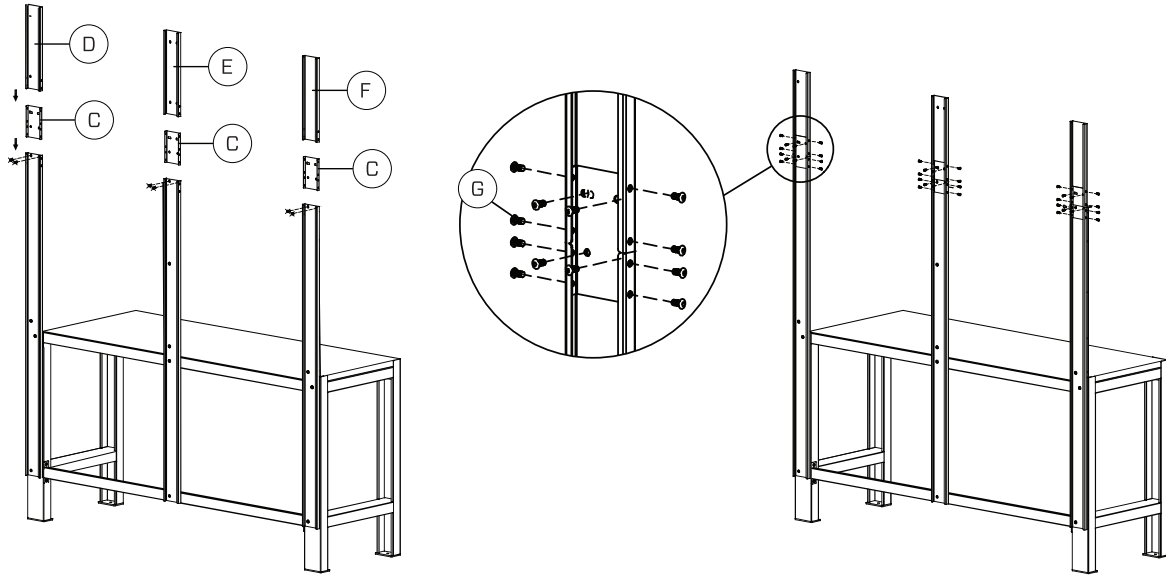
Step 1



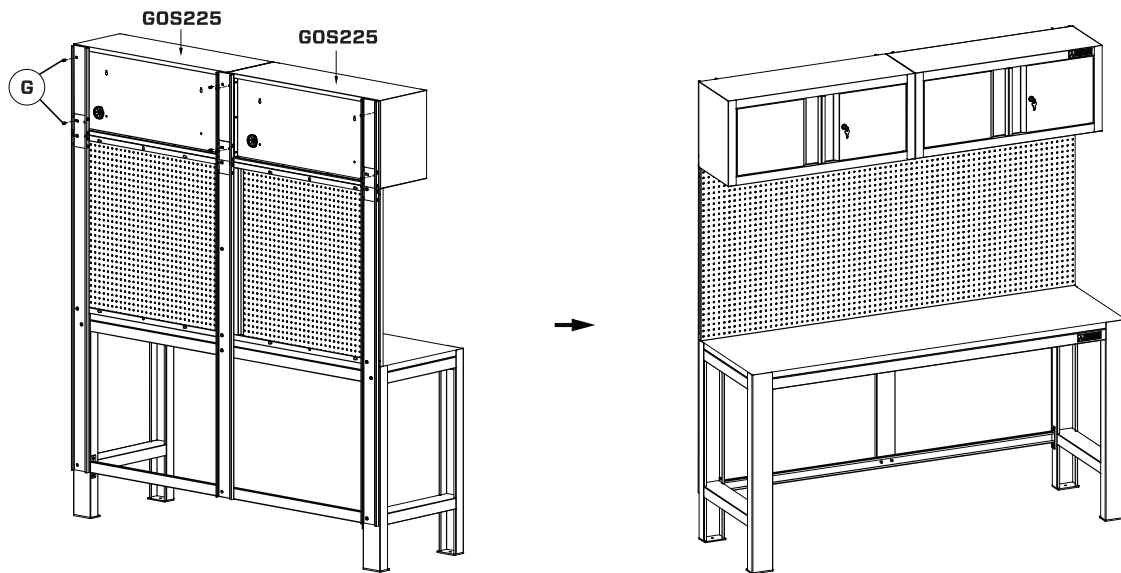
Step 2



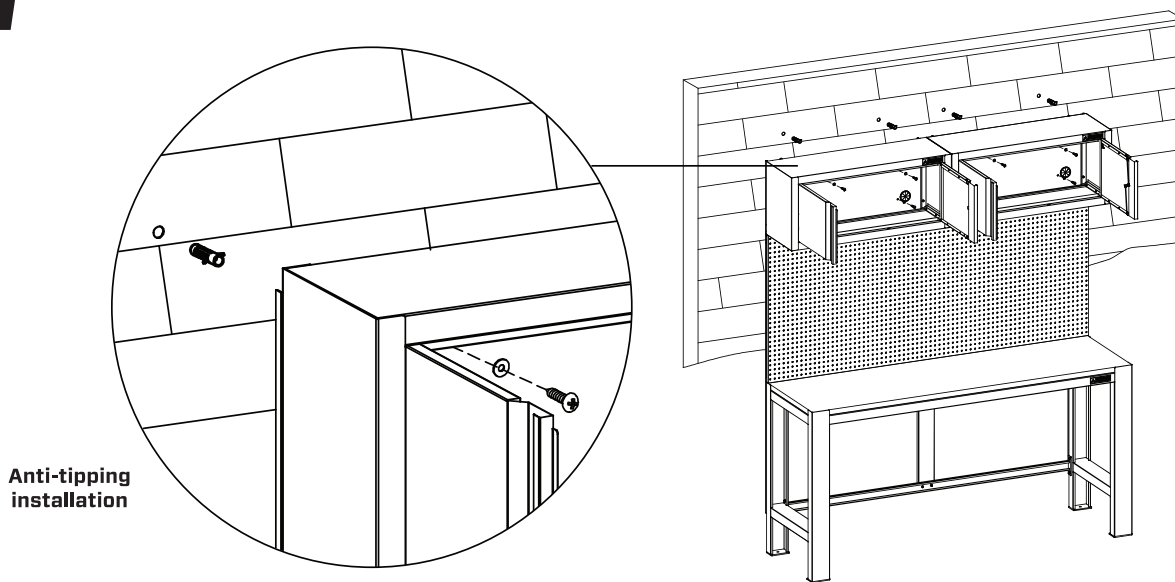
Step 1 Extension bracket is used for attaching Overhead Cabinet (GOS225) to bracket.



Step 2



Step 3



WARRANTY CONDITIONS: Any claim under this warranty must be made within 1 year of the date of purchase of the product. To make a claim under this warranty, take the product (with proof of purchase) to any Bunnings store (for AUS customers see www.bunnings.com.au and for NZ customers see www.bunnings.co.nz for store locations). Pinnacle Hardware bears reasonable, direct expenses of claiming under the warranty. You may submit details and proof of purchase to our support centre for consideration. The warranty covers manufacturer defects in materials, workmanship and finish under normal use. This warranty is provided in addition to other rights and remedies you may have under law. Our goods come with guarantees that cannot be excluded under the Australian consumer law or Consumer Guarantees Act 1993 (NZ). You are entitled to a replacement or refund for a major failure and compensation for any other reasonably foreseeable loss or damage. You are also entitled to have the goods repaired or replaced if the goods fail to be of acceptable quality and the failure does not amount to a major failure. This warranty excludes damage resulting from product misuse or product neglect, any modifications, additions or alterations to the product including the addition of extra shelves. Additions or modifications can compromise the structure and safety of the product. The warranty covers domestic use only and does not apply to commercial applications. This warranty is given by Pinnacle Hardware, ABN 87 614 496 196, 45-49 Whitfield Boulevard, Cranbourne West Vic 3977, 1800 349 776, Email: support@pinnacle.net.au. Products sold in New Zealand are imported by Bunnings New Zealand. 'Pinnacle' is a trademark © Pinnacle Hardware. Suitable for model number GOS218.