

PINNACLE

**MODULAR
SERIES >>**

XL TIMBER TOP WORKBENCH

910H x 1800W x 540Dmm

ITEM NO: GOS217

Very Important: Unpack the unit and confirm that you have all the parts listed. Assemble the unit on a solid, level surface. Avoid carpet. You will need the assistance of a second person during assembly.

Safety tip: For added safety and support we recommend you fix unit to a wall.

You will need the following: Phillips-head screwdriver and a rubber mallet.

WARNING

SERIOUS INJURY OR DEATH CAN BE CAUSED BY TOPPLING FURNITURE

TO HELP PREVENT A TIP-OVER:

- We recommend you anchor this product to a wall or other suitable surface.
- Check anchors regularly

FOR MORE INFORMATION SEARCH: www.productsafety.gov.au

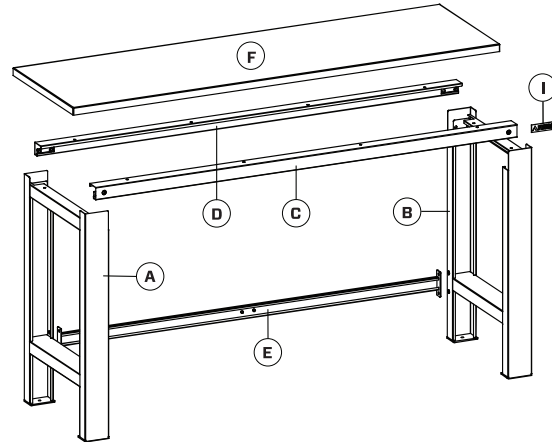
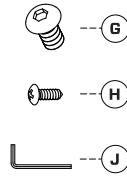
POWDER COATED
MATTE BLACK

750kg
BENCHTOP

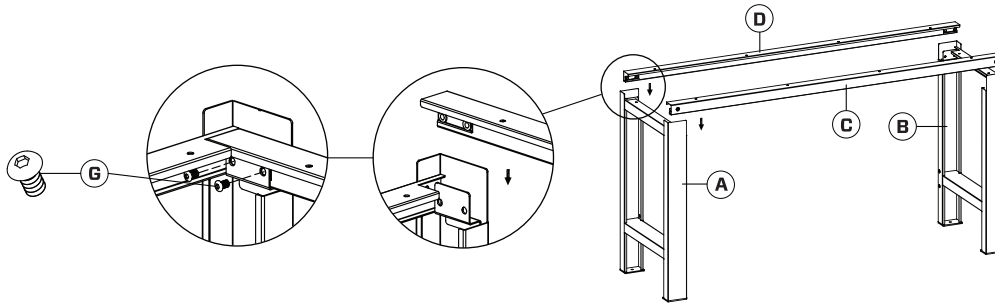
SAFETY TIP:

When assembling or installing this product wear protective gloves and eyewear.

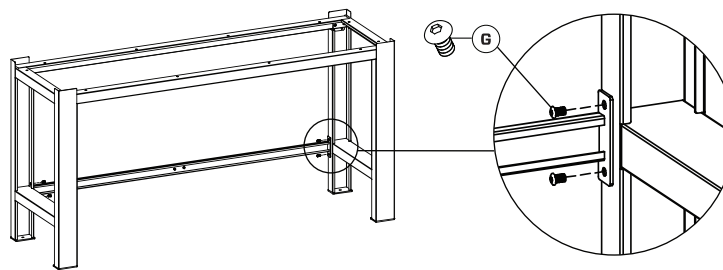
NO	PART NAME	PCS
(A)	Left leg	1PC
(B)	Right leg	1PC
(C)	Top front bracket	1PC
(D)	Top back bracket	1PC
(E)	Supporting bracket	1PC
(F)	Timber top	1PC
(G)	M8 x 13mm	12PC
(H)	Self tapping screw	12PC
(I)	"Pinnacle" Logo	1PC
(J)	5mm Allen wrench	1PC



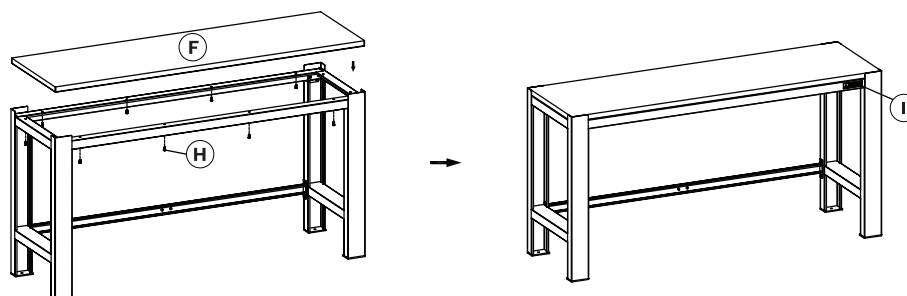
Step 1



Step 2



Step 3



WARRANTY CONDITIONS: Any claim under this warranty must be made within 1 year of the date of purchase of the product. To make a claim under this warranty, take the product (with proof of purchase) to any Bunnings store (for AUS customers see www.bunnings.com.au and for NZ customers see www.bunnings.co.nz for store locations). Pinnacle Hardware bears reasonable, direct expenses of claiming under the warranty. You may submit details and proof of purchase to our support centre for consideration. The warranty covers manufacturer defects in materials, workmanship and finish under normal use. This warranty is provided in addition to other rights and remedies you may have under law. Our goods come with guarantees that cannot be excluded under the Australian consumer law or Consumer Guarantees Act 1993 (NZ). You are entitled to a replacement or refund for a major failure and compensation for any other reasonably foreseeable loss or damage. You are also entitled to have the goods repaired or replaced if the goods fail to be of acceptable quality and the failure does not amount to a major failure. This warranty excludes damage resulting from product misuse or product neglect, any modifications, additions or alterations to the product including the addition of extra shelves. Additions or modifications can compromise the structure and safety of the product. The warranty covers domestic use only and does not apply to commercial applications. This warranty is given by Pinnacle Hardware, ABN 87 614 496 196, 45-49 Whitfield Boulevard, Cranbourne West Vic 3977, 1800 349 776, Email: support@pinnacle.net.au. Products sold in New Zealand are imported by Bunnings New Zealand. 'Pinnacle' is a trademark © Pinnacle Hardware. Suitable for model number GOS217.