

Sliding Window Lock

Very Important!

Please fasten all screws by hand and not an electric screwdriver or drill, as over tightening is not recommended.

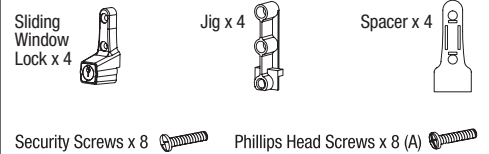
Instructions to install the Sliding Window Lock.

If installing this Sliding Window Lock into a new window, you will need the following tools:

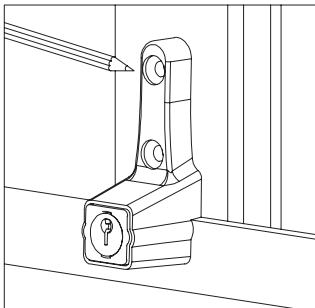


If you are replacing an existing lock, remove your existing lock, clean down surfaces and follow the installation process.

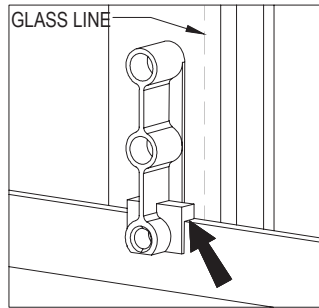
Contents



Step 1: Preparation

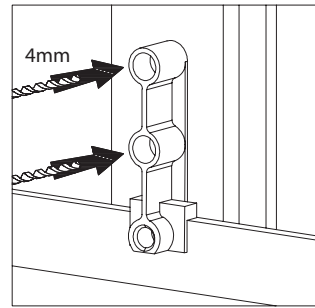


First determine the fixing location for the Lock. Mark the appropriate holes with a pencil.

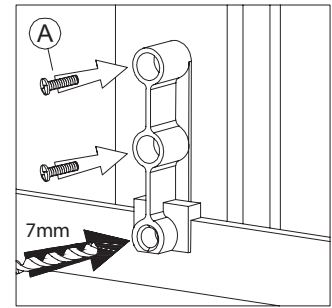


Position the drilling Jig at fixing location on the window sash. Make sure the notch on the drilling Jig rests on the outer window channel as indicated by the arrow. Make sure that the screws will clear the glass line.

Step 2: Drill Holes Using the Jig



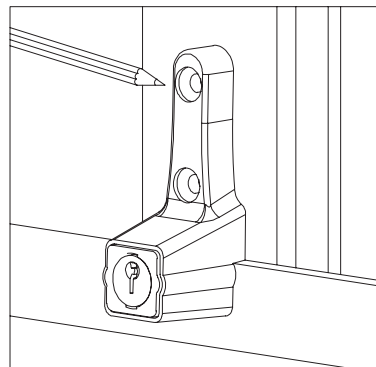
Drill 4mm hole into the 2 top holes of the Jig.



Using the Phillips Head Screws (A) provided, lightly screw the Jig to the window sash. With the window closed, drill a 7mm hole through the bottom hole in the Jig. If you are wanting to have a fixed venting position move the window to the desired position and drill another 7mm hole through the bottom hole in the Jig. (Note: Make sure the hole is at least 6mm deep to fit the locking bolt. This might mean you have to drill into the window sash.)

Step 3: Installing the Lock

Remove the Jig from the window sash and replace with the Sliding Window Lock. Check to make sure the Lock works in the closed and vented position. If the Lock works to satisfaction the Phillips Head Screws can be replaced with the Security Screws provided.



WARRANTY CONDITIONS

Any claim under this warranty must be made within 3 year of the date of purchase of the product. To make a claim under this warranty, take the product (with proof of purchase) to any Bunnings store (see www.bunnings.com.au for store locations). Pinnacle Hardware bears reasonable, direct, expenses of claiming under the warranty. You may submit details and proof of purchase to our support center for consideration. The warranty covers manufacturer defects in materials, workmanship and finish under normal use. This warranty is provided in addition to other rights and remedies you may have under law. Our goods come with guarantees that cannot be excluded under the Australian consumer law. You are entitled to a replacement or refund for a major failure and compensation for any other reasonably foreseeable loss or damage. You are also entitled to have the goods repaired or replaced if the goods fail to be of acceptable quality and the failure does not amount to a major failure. This warranty excludes damage resulting from product misuse or product neglect. The warranty covers domestic use only and does not apply to commercial applications. This warranty is given by Pinnacle Hardware, ABN 87 614 496 196, 28 Hudson Court, Keysborough Vic 3173, 1800 349 776, Email: support@pinnacle.net.au. 'Pinnacle' is a trademark TM © Pinnacle Hardware. Suitable for models WHS001, WHS002, WHS003 and WHS004.