

Heavy Duty Steel Gate Frame Kit

1000-1870H x 700-1200Wmm

SAFETY TIP:

When assembling or installing this product wear protective gloves and eyewear.

Installation instructions:

STEP 1:

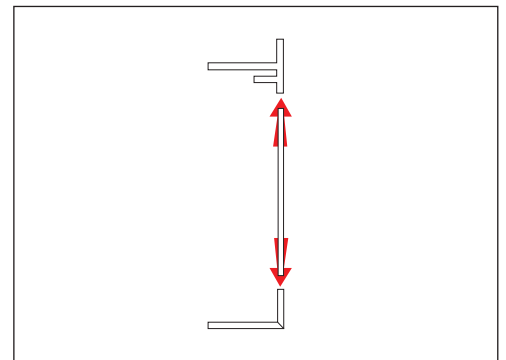
Measure the height and width of the gate required, allow adequate clearance for the bottom of the gate and 10-15mm clearance for the gate frame and post.

STEP 2:

Determine which the side the hinges will be positioned, left or right, inward or outward opening. The hinged corner connector can be reversed or turned upside down to suit the nature of the gate. Note: the shorter side of the corner connectors (220mm) must only be connected to the vertical frame rails (A) and the longer side (350mm) must only be connected to the horizontal frame rails (B).

STEP 3:

Insert the 755mm vertical rails (A) into the centre connectors (E) followed by the hinged corner connectors (D). Note: minimum overlap between the rail and connector should be no less than 60mm as marked on the rail.

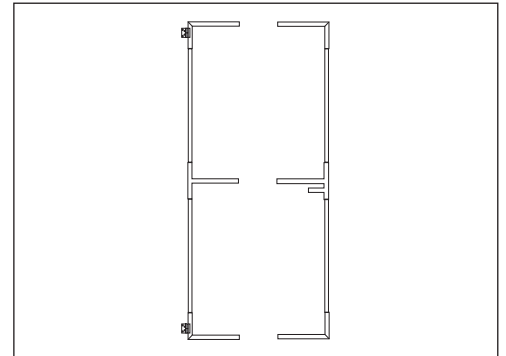


STEP 4:

Adjust height of gate frame to suit by sliding the vertical frame rail (A) in and out of the connectors (D & E). Fix desired height by aligning the provided screws to fasten the rail with the connector. If gate frame is too high vertical frame rails (A) can be cut to suit.

STEP 5:

Insert the 755mm vertical frame rails (A) into the centre connectors (F) followed by the corner connectors (C). Apply in the same manner as steps 4 and 5, making sure that both sides of the gate frame are the same height and all connectors (C, D, E & F) are aligned.

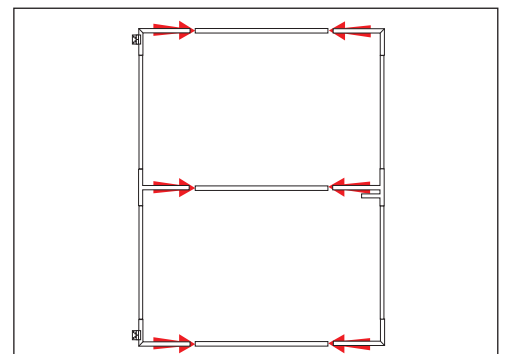


STEP 6:

Insert the 620mm horizontal frame rails (B) into the corner connectors (C & D) and the centre connectors (E & F). Adjust the width to suit, if necessary the horizontal rails can be cut to size. Apply the provided screws to fix the rails to the connectors. Note: minimum overlap between the rail and connector should be no less than 60mm as marked on the rail.

STEP 7:

Place the gate frame into position using a chock to get the right height. Screw the hinge to the post using only one screw per hinge, test that the gate swings properly and make sure there is adequate clearance between the ground and gate, once satisfied fix the remaining screws.



STEP 8:

The gate frame is now ready, apply cladding to suit.