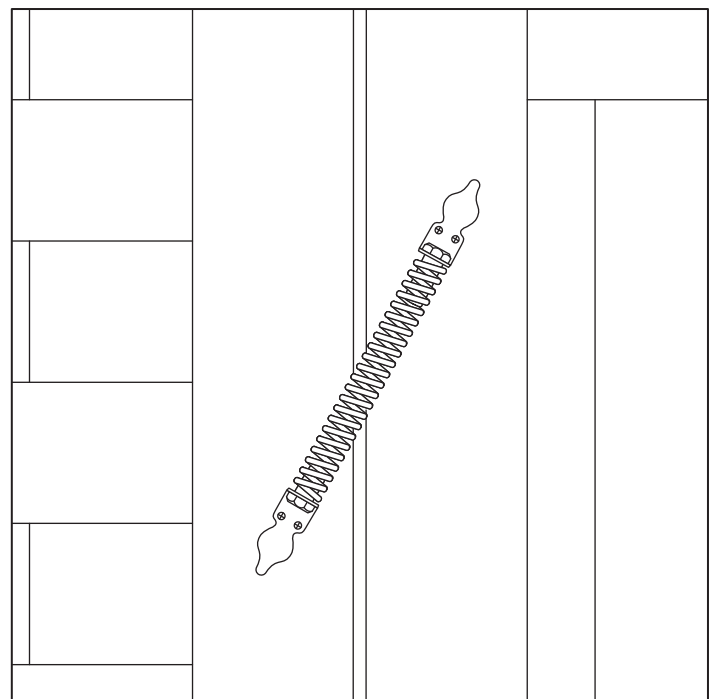
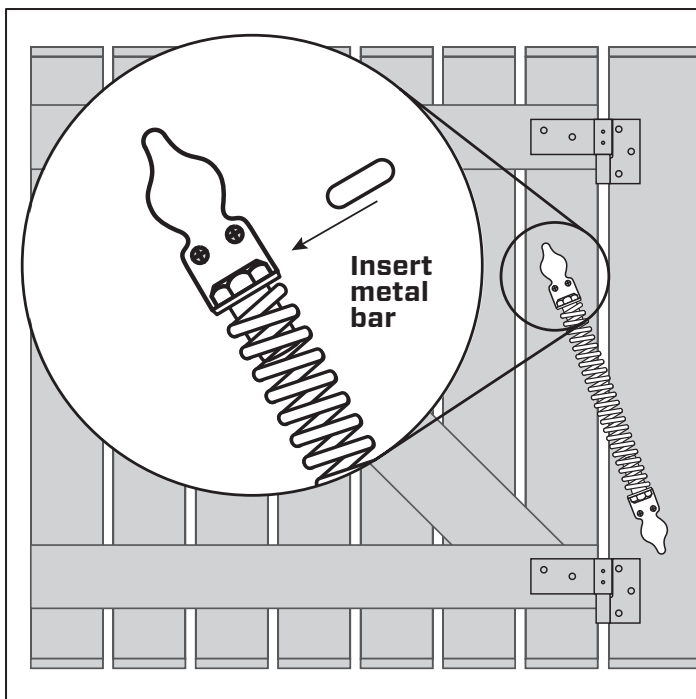


350mm Coil Spring

Tools required: Pencil, No.2 Phillips screwdriver, adjustable spanner, drill and 4mm drill bit.

Installation instructions:

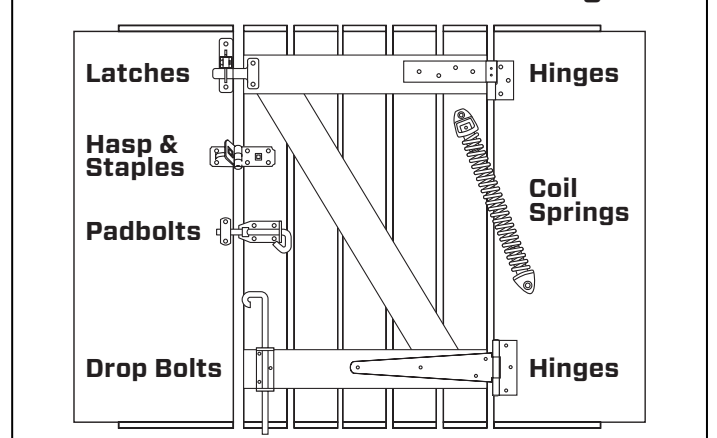
1. Determine the position of the gate spring, ensuring it is on the hinge side of the gate.
2. Mark screw locations and drill pilot holes with a 4mm drill bit.
3. To tighten the spring, turn clockwise by hand using an adjustable spanner to desired tension. Then insert metal bar in slot between hex head on spring and mounting plate to hold the spring in place.
4. Adjust the tension of the gate spring as required.



Corrosion Protection Chart

Finish:	Rating:			
Stainless Steel	Ultimate	🛡️	🛡️	🛡️
Galvanised	High	🛡️	🛡️	
Zinc Plated	Moderate	🛡️		

Pinnacle Gate Hardware Range



Suitable for model no: SPR008.

CONNECT WITH US!
PINNACLE.NET.AU

