

The Fort

Dog Kennel

MEDIUM

840W x 1009D x 850Hmm



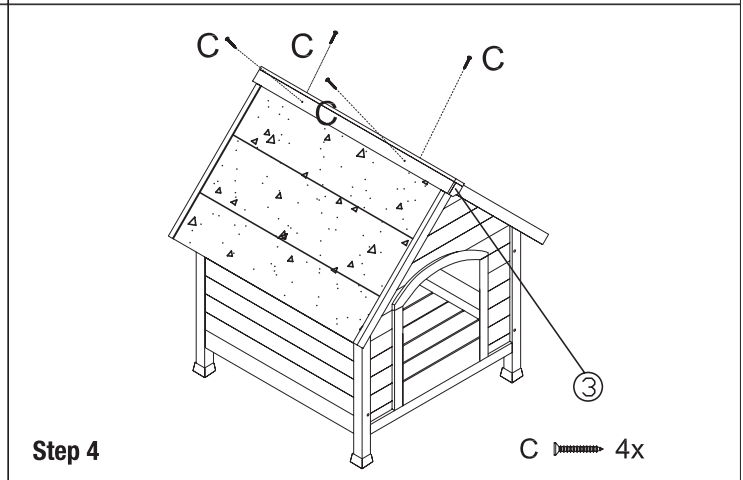
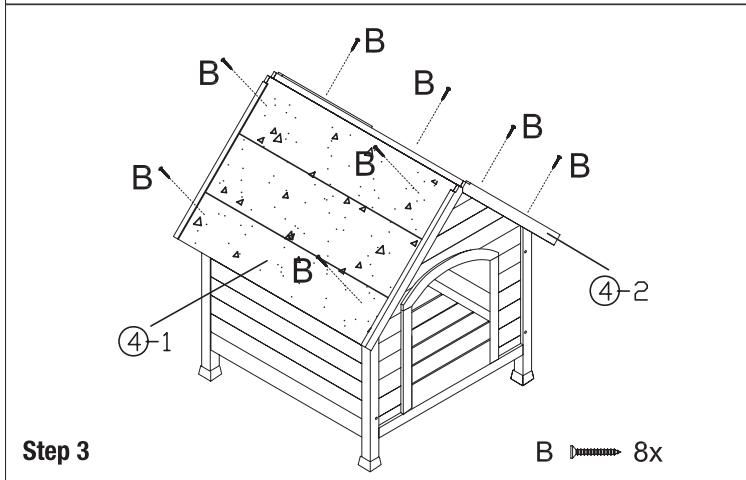
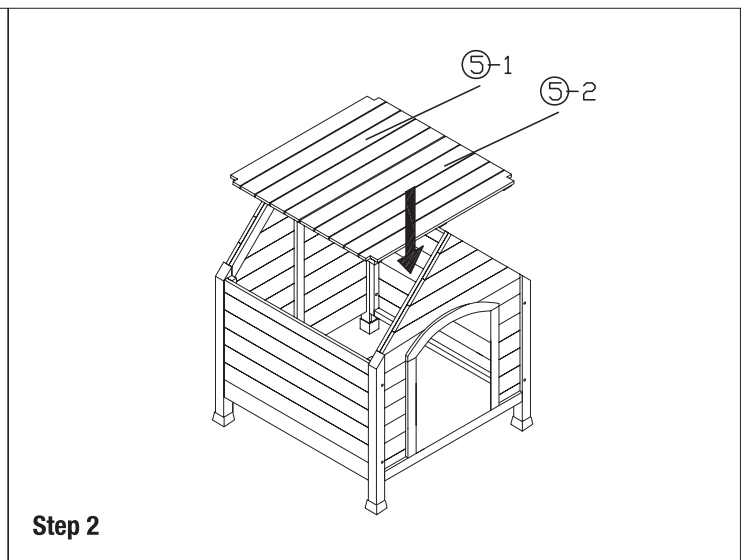
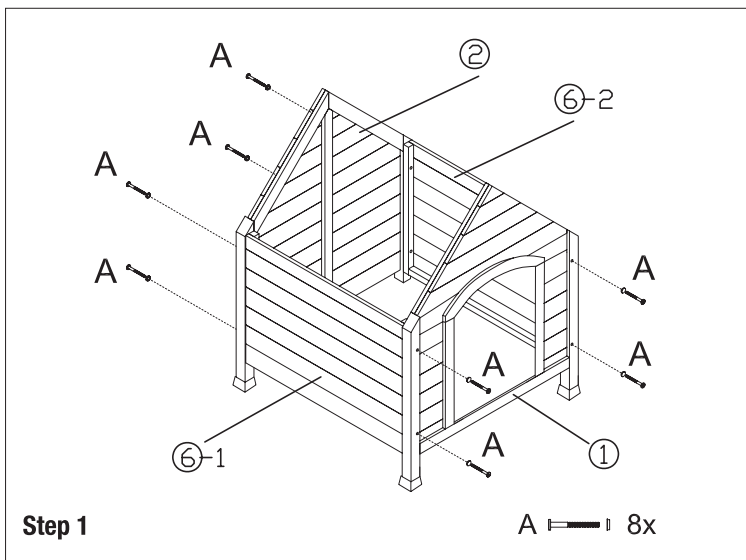
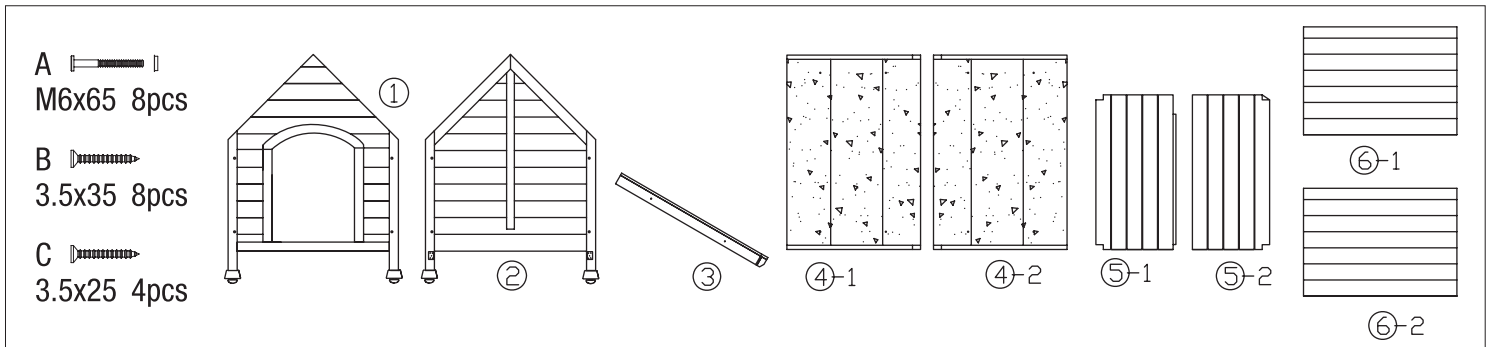
Important!

Before you commence assembling this unit open carton and lay all parts on a clear floor space and check all the parts against the parts list included in either the instructions or on the rear of carton. This will ensure that you become familiar with each part and make assembling faster.

You will need the following: cordless screwdriver with a Phillips-head bit or a standard Phillips-head screwdriver, shifter, hammer and drill.

SAFETY TIP:

When assembling or installing this product wear protective gloves and eyewear.



Handy Timber Preservation Hint: To ensure that your Pinnacle Outdoor Animal Enclosure retains its new look, we strongly recommend that you treat all timber surfaces with a timber preservative. We would recommend a natural garden furniture oil. Please consult a hardware store team member from the paint department. It is recommended that you apply the oil every six to twelve months depending on the product's exposure to the elements.

WARRANTY CONDITIONS
 This product comes with a 2 year limited structural warranty from the date of purchase. To make a claim under the warranty, take the product (with proof of purchase) to any Bunnings store (see www.bunnings.com.au for store locations). Pinnacle Hardware bears reasonable, direct, expenses of claiming under the warranty. You may submit details and proof to our support centre for consideration. The warranty covers manufacturer defects in materials, workmanship and finish under normal use. This warranty is provided in addition to other rights and remedies you may have under law: our goods come with guarantees which cannot be excluded under the Australian Consumer Law. You are entitled to a replacement or refund for a major failure and compensation for any other reasonably foreseeable loss or damage. You are also entitled to have the goods repaired or replaced if the goods fail to be of acceptable quality and the failure does not amount to a major failure. The warranty excludes damage resulting from product misuse or product neglect. The warranty covers domestic use only and does not apply to commercial applications. This warranty is given by Pinnacle Hardware, ABN: 87 614 496 196, 28 Hudson Court, Keysborough Vic 3173, 1800 349 776, Email: support@pinnacle.net.au. New Zealand customers please contact HARCO (Harkness & Young Ltd), 09 27 640771, Email: sales@harknessyoung.co.nz. 'Pinnacle Outdoor' is a trademark © Pinnacle Hardware. These instructions are suitable for model PTC003.