

4 TIER ADJUSTABLE SHELF

1500H x 810W x 310Dmm

ITEM NO: GOS186

Very Important: Unpack the unit and confirm that you have all the parts listed. Assemble the unit on a solid, level surface. Avoid carpet. You will need the assistance of a second person during assembly.

Safety tip: For added safety and support we recommend you fix unit to a wall.

You will need the following: Rubber Mallet.

Please note: When moving shelving unit lift using the bottom leg uprights.

For evenly spaced shelves (from bottom shelf): 12 Free Keyholes, 11 Free Keyholes, 12 Free Keyholes.

WARNING

SERIOUS INJURY OR DEATH CAN BE CAUSED BY TOPPLING FURNITURE

TO HELP PREVENT A TIP-OVER:

•Anchor this product to a wall or other suitable surface with the provided "Tip over prevention kit". •Check anchors regularly

FOR MORE INFORMATION SEARCH: www.productsafety.gov.au

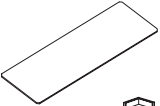





POWDER COATED
BLACK

180kg
PER SHELF

SAFETY TIP:

When assembling or installing this product wear protective gloves and eyewear.

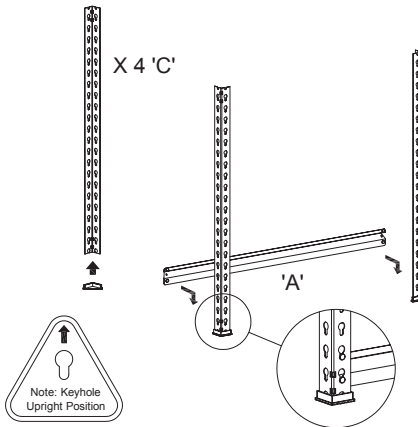
Parts List

	MDF Shelf	x4
	Foot End Caps	x4
	Connector Plates	x4
	Brackets 'A'	x8
	Brackets 'B'	x8
	Legs 'C'	x8

NOT TO SCALE

PLEASE NOTE: Tip-over prevention kit included (refer to last page for installation).

Step 1

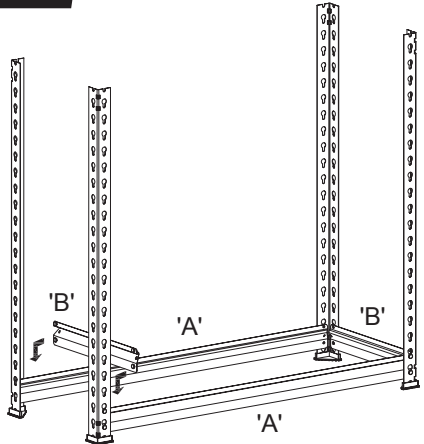


X 4 'C'

Note: Keyhole Upright Position

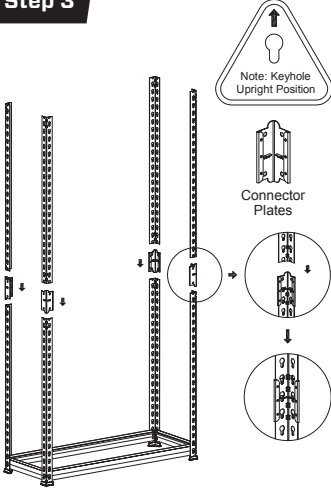
Place foot end caps onto the bottom of the legs 'C' (Note: Upright position). Place shelving bracket 'A' onto the legs 'C'. A rubber mallet can be used to lightly tap all brackets into the keyholes on the legs. Allow one keyhole free from the ground as shown in the diagram.

Step 2



Use shelf bracket 'B' for the side brackets, using the shelf bracket 'A' from step 1 as a guide for height. Use the same shelving bracket for the opposing sides as shown in the diagram.

Step 3

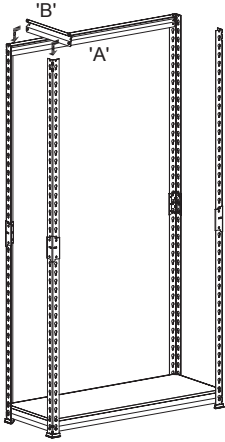


Note: Keyhole Upright Position

Connector Plates

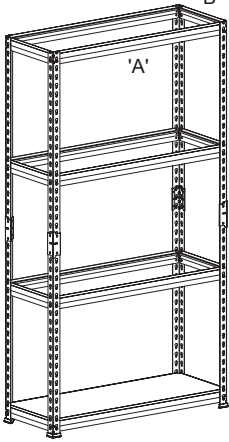
Place MDF shelf in bottom shelf to minimise buckling. Join the upper legs to the lower legs with the connector plates.

Step 4



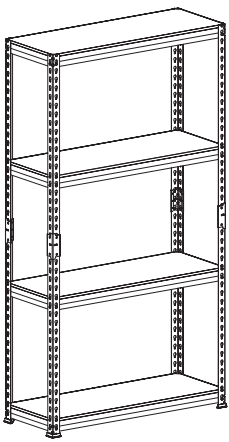
Fix brackets 'A' at the very top of legs 'C' allowing enough room for the MDF shelf to sit against the legs. Repeat with brackets 'B'.

Step 5



Apply remaining shelf brackets as per the above diagram to your desired height.

Step 6



Position the MDF shelves in place. Now your Pinnacle 4 tier adjustable shelf is ready to use!

PLEASE NOTE: Refer to next page for attaching the provided Tip-over prevention kit.

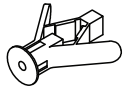



WARRANTY CONDITIONS: Any claim under this warranty must be made within 1 year of the date of purchase of the product. To make a claim under this warranty, take the product (with proof of purchase) to any Bunnings store (for AUS customers see www.bunnings.com.au and for NZ customers see www.bunnings.co.nz for store locations). Pinnacle Hardware bears reasonable, direct expenses of claiming under the warranty. You may submit details and proof of purchase to our support centre for consideration. The warranty covers manufacturer defects in materials, workmanship and finish under normal use. This warranty is provided in addition to other rights and remedies you may have under law: Our goods come with guarantees that cannot be excluded under the Australian consumer law or Consumer Guarantees Act 1993 (NZ). You are entitled to a replacement or refund for a major failure and compensation for any other reasonably foreseeable loss or damage. You are also entitled to have the goods repaired or replaced if the goods fail to be of acceptable quality and the failure does not amount to a major failure. This warranty excludes damage resulting from product misuse or product neglect, any modifications, additions or alterations to the product including the addition of extra shelves. Additions or modifications can compromise the structure and safety of the product. The warranty covers domestic use only and does not apply to commercial applications. This warranty is given by Pinnacle Hardware, ABN 87 614 496 196, 28 Hudson Court, Keysborough Vic 3173, 1800 349 776, Email: support@pinnacle.net.au. Products sold in New Zealand are imported by Bunnings New Zealand. 'Pinnacle' is a trademark. © Pinnacle Hardware. Suitable for model number GOS186.

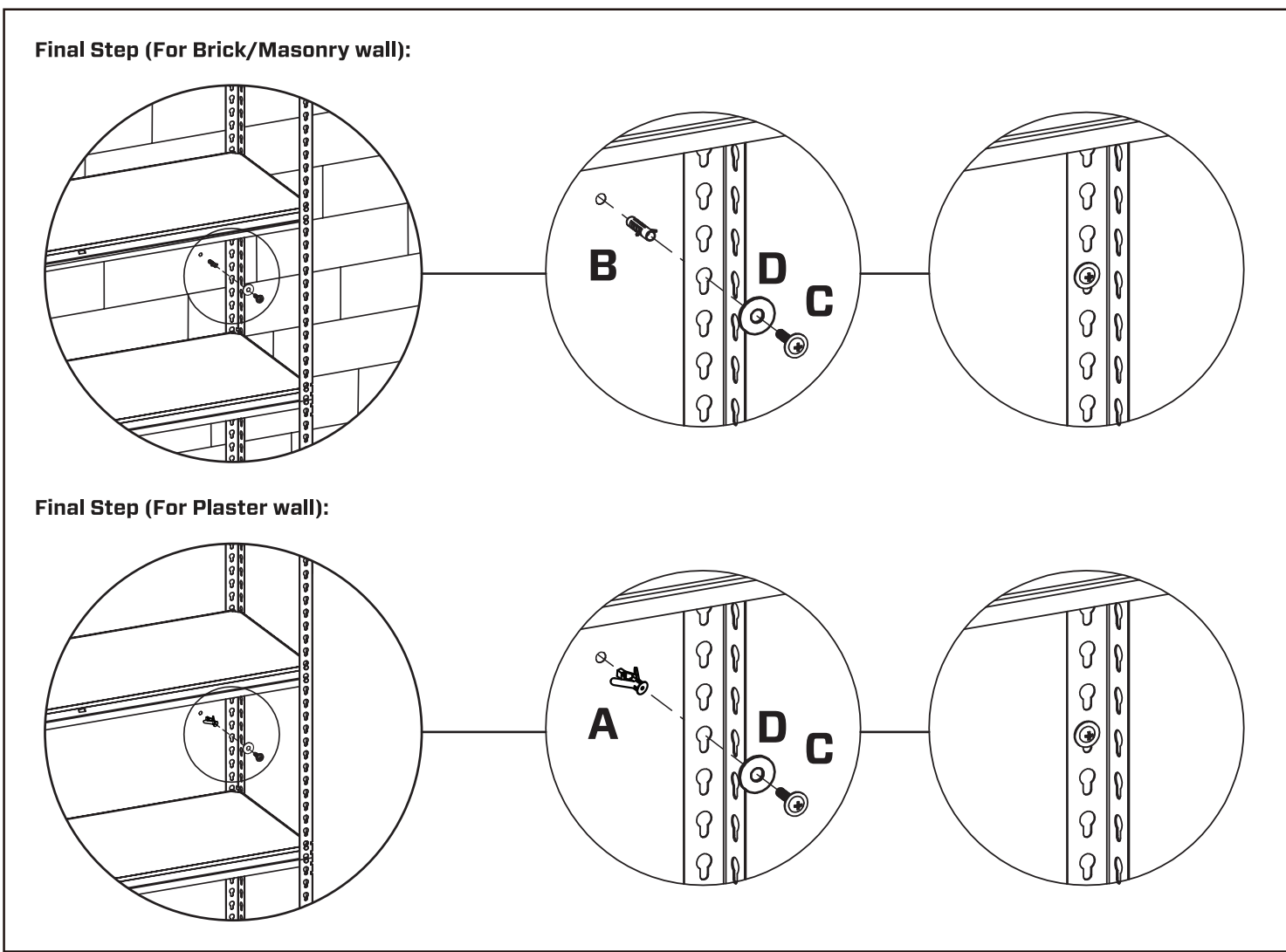
TIP OVER PREVENTION KIT:

PLEASE NOTE: We strongly recommend that this product is permanently fixed to a wall. Please use the provided “Tip over prevention kit” to securely fix product to your wall.



Parts list:

			
A x2	B x2	C x2	D x2



It is STRONGLY RECOMMENDED that you ANCHOR this product.

Toppling furniture can cause serious injuries and death.

A “Tip over prevention kit” has been provided with this product to stop your furniture from tipping forward, it is strongly recommended that you **securely attach this product** to a wall or other solid surface using the provided fixings.

IMPORTANT: Regularly check that anchors are securely maintained. Stability of tall items may be affected by thick pile carpet or uneven floors.

CAUTION:

For your safety when attaching the anchor fixings, please note the following:

- Check for any electrical wires or plumbing inside the wall before drilling any holes (if you are unsure please seek professional advice from a qualified tradesperson)
- Walls are constructed from different materials, for example, masonry (solid brick) or plasterboard lined cavity walls (hollow). It is important that you use the appropriate wall fixings for your wall type.