

PRO SERIES 1 DRAWER & 2 DOOR STORAGE STATION

HEIGHT | WIDTH | DEPTH
2090mm | **800mm** | **605mm**

POWDER COATED
MATTE BLACK

500kg
 BENCHTOP

ITEM NO: GOS161

Very Important: Unpack the unit and confirm that you have all the parts listed. Assemble the unit on a solid, level surface. Avoid carpet. You will need the assistance of a second person during assembly.

Safety tip: For added safety and support we recommend you fix unit to a wall.
You will need the following: Phillips-head screwdriver.

WARNING

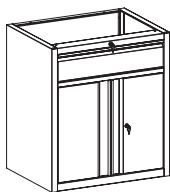
SERIOUS INJURY OR DEATH CAN BE CAUSED BY TOPPLING FURNITURE

TO HELP PREVENT A TIP-OVER:

•Anchor this product to a wall or other suitable surface with the provided "Tip over prevention kit". •Check anchors regularly

FOR MORE INFORMATION SEARCH: www.productsafety.gov.au

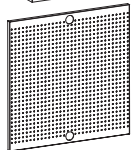
Parts List



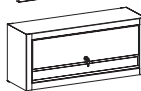
Double Door 1 Drawer Cabinet (A) x1



Timber Benchtop (B) x1



Pegboard (C) x1



Slimline Cabinet (D) x1



Drawer Shelf (E) x1



Shelf (E1) x1



Left Bottom Upright x1



Left Top Upright x1



Right Bottom Upright x1



Right Top Upright x1



Connector Plate x2



Adjustable Feet (G) x4



Wiring Grommet (H) x2



Logo (I) x2



Non Slip Drawer Liner (J) x1



Shelf Support (K) x4



M6 x 13mm Pan Head Hex Bolt (M) x20



M5 x 16mm Countersunk Screw (N) x16



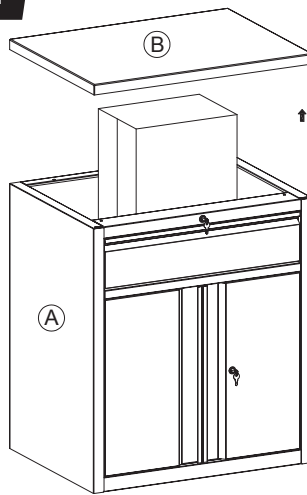
M4 x 16mm Self Tapping Screw (P) x6



4mm Allen Key x1

Not to scale.

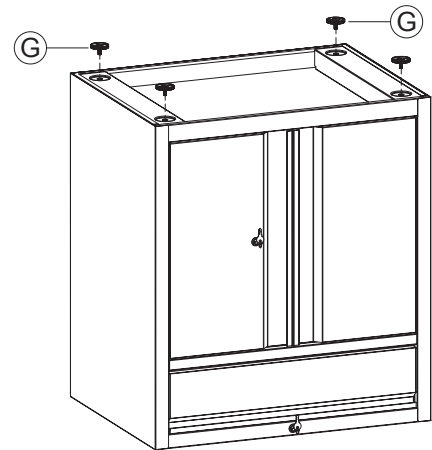
Step 1



WARNING

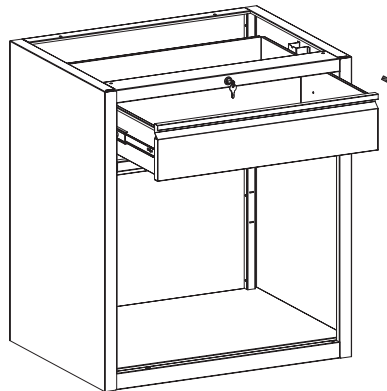
Please note: The timber benchtop is not bolted to the cabinet. Carefully lift timber benchtop off and place all the contents on a flat surface.

Step 2



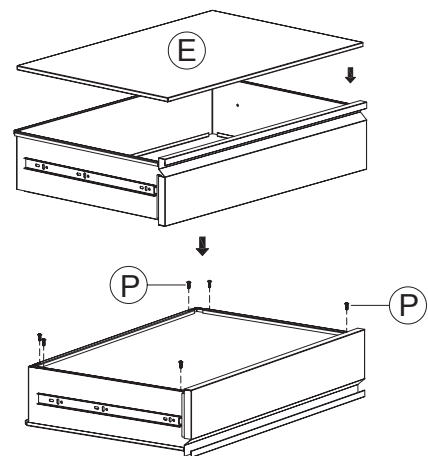
Turn the cabinet base upside down and attach the adjustable feet "G".

Step 3



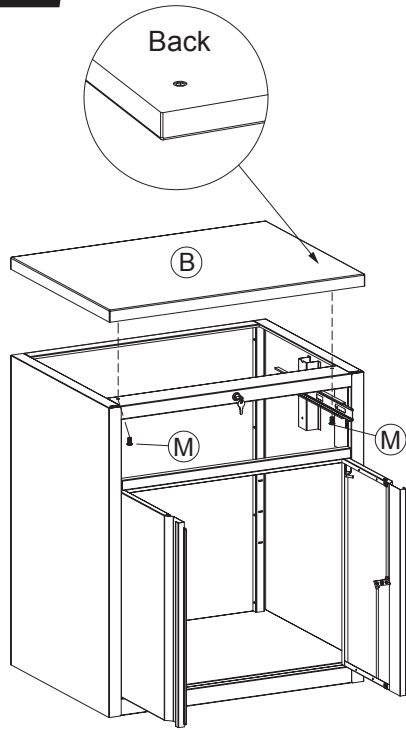
Turn the cabinet back over onto its feet and position the timber benchtop. Fix the front corners of benchtop with 4x bolt "M" and rear corners as per the diagram.

Step 4

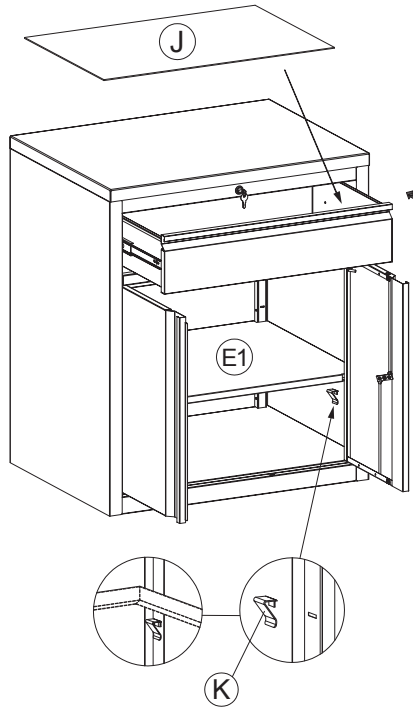


Fix shelf in drawer with 6x screws "P" from the bottom.

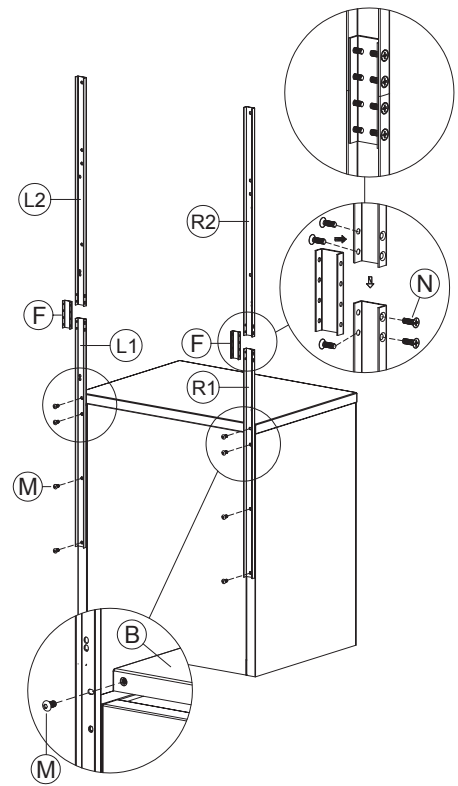
WARRANTY CONDITIONS: Any claim under this warranty must be made within 1 year of the date of purchase of the product. To make a claim under this warranty, take the product (with proof of purchase) to any Bunnings store (for AUS customers see www.bunnings.com.au and for NZ customers see www.bunnings.co.nz for store locations). Pinnacle Hardware bears reasonable, direct expenses of claiming under the warranty. You may submit details and proof of purchase to our support centre for consideration. The warranty covers manufacturer defects in materials, workmanship and finish under normal use. This warranty is provided in addition to other rights and remedies you may have under law; Our goods come with guarantees that cannot be excluded under the Australian consumer law or Consumer Guarantees Act 1993 (NZ). You are entitled to a replacement or refund for a major failure and compensation for any other reasonably foreseeable loss or damage. You are also entitled to have the goods repaired or replaced if the goods fail to be of acceptable quality and the failure does not amount to a major failure. This warranty excludes damage resulting from product misuse or product neglect, any modifications, additions or alterations to the product including the addition of extra shelves. Additions or modifications can compromise the structure and safety of the product. The warranty covers domestic use only and does not apply to commercial applications. This warranty is given by Pinnacle Hardware, ABN 87 614 496 196, 28 Hudson Court, Keysborough Vic 3173, 1800 349 776, Email: support@pinnacle.net.au. Products sold in New Zealand are imported by Bunnings New Zealand. 'Pinnacle' is a trademark © Pinnacle Hardware. Suitable for model number GOS161.

Step 5

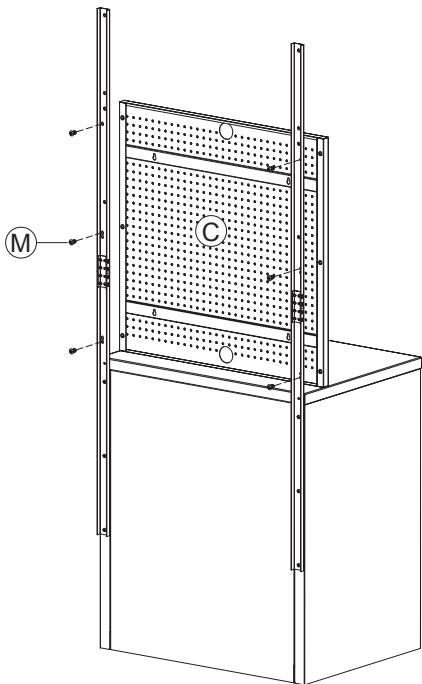
Fix the front corners of the benchtop "B" with 2x bolt "M" as per the diagram.

Step 6

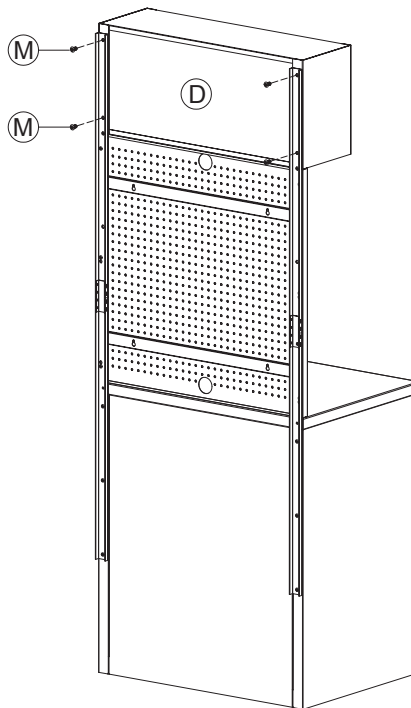
Install drawer back into the cabinet followed by non slip drawer liner "J" on drawer shelf. Insert 4x shelf supports "K" at desired height with shelf "E1" on top.

Step 7

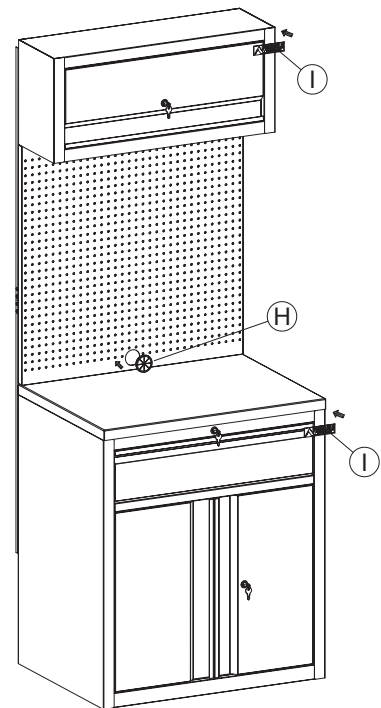
Attach uprights "L1" & "R1" to the back of the unit and fix with bolts "M". Using the connector plate "F" & screws "N", attach uprights "L2" & "R2" as per the diagram above.

Step 8

Attach the pegboard "C" to the uprights using bolts "M".

Step 9

Place the overhead cabinet "D" in position above the pegboard and fix using bolts "M".

Step 10

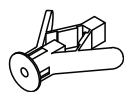
Insert the wiring grommets "H" into the pegboard and place logo badges "I" in preferred position.

TIP OVER PREVENTION KIT:

PLEASE NOTE: We strongly recommend that this product is permanently fixed to a wall. Please use the provided “Tip over prevention kit” to securely fix product to your wall.



Parts list:



A x4
Plaster Plugs



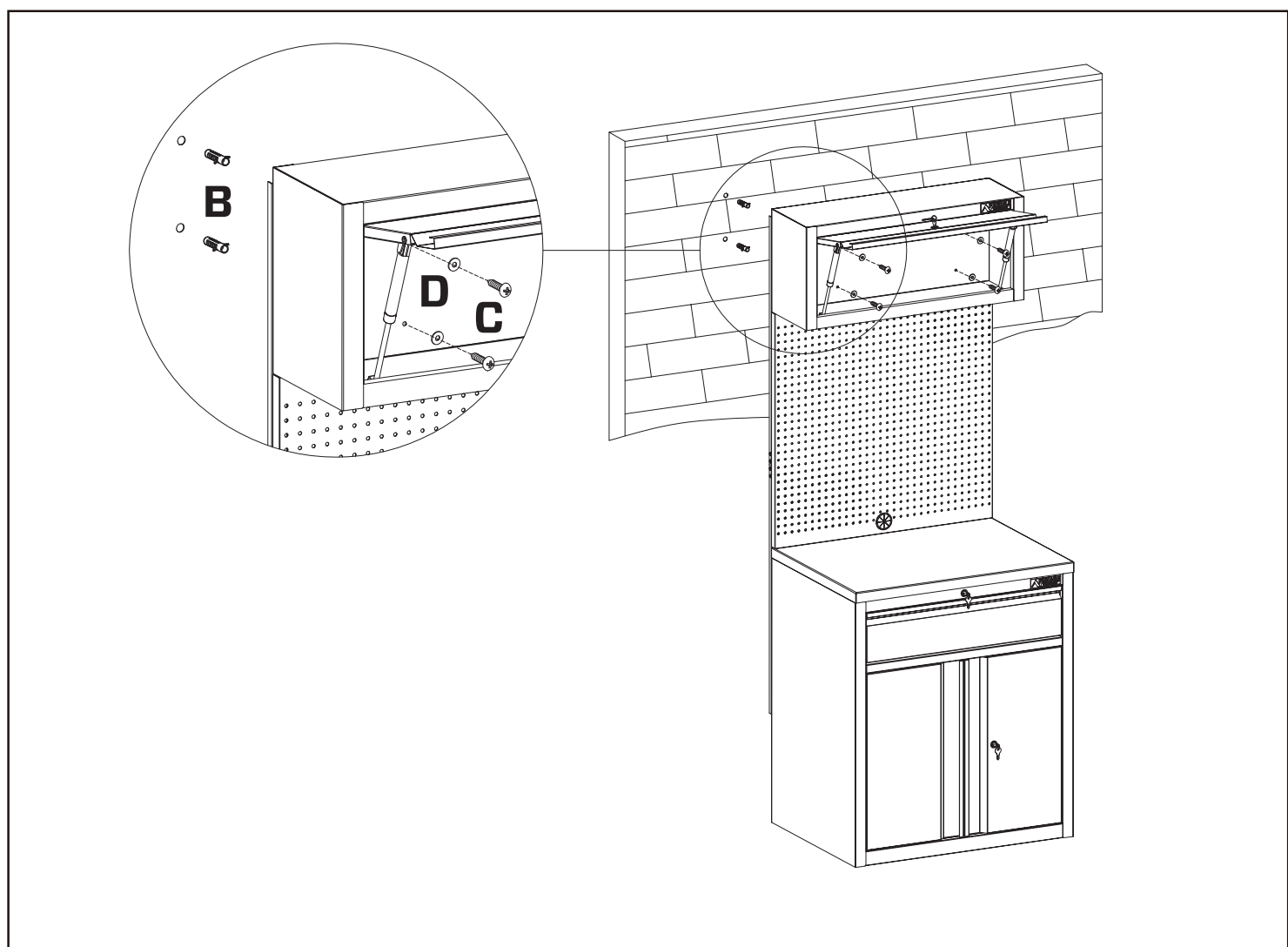
B x4
Masonry Plugs



C x4
Screws



D x4
Washers



It is STRONGLY RECOMMENDED that you ANCHOR this product.

Toppling furniture can cause serious injuries and death.

A “Tip over prevention kit” has been provided with this product to stop your furniture from tipping forward, it is strongly recommended that you **securely attach this product** to a wall or other solid surface using the provided fixings.

IMPORTANT: Regularly check that anchors are securely maintained. Stability of tall items may be affected by thick pile carpet or uneven floors.

CAUTION:

For your safety when attaching the anchor fixings, please note the following:

- Check for any electrical wires or plumbing inside the wall before drilling any holes (if you are unsure please seek professional advice from a qualified tradesperson)
- Walls are constructed from different materials, for example, masonry (solid brick) or plasterboard lined cavity walls (hollow). It is important that you use the appropriate wall fixings for your wall type.