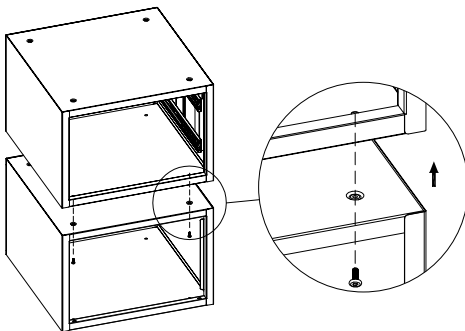


HEAVY DUTY

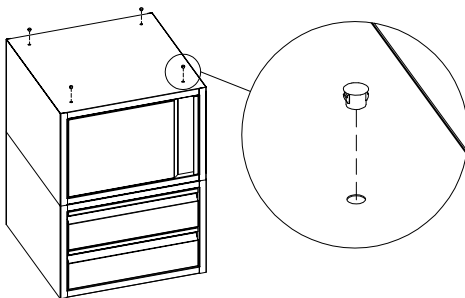
SERIES >>



When stacking this product on top of another storage unit, ensure they are fixed together using the provided bolts and pre-drilled holes.



The pre-drilled holes on the top of each unit can also be plugged with the provided plugs if not being fixed to another unit.



NOTE: Inner liners are provided to place inside drawers/cabinet. Outer liners are slightly larger and can be used for underneath the unit if placing on wire shelving.

NOTE: Tip-over prevention kit included.

Suitable for model no: GOS141, GOS142, GOS143, GOS144.