

# METAL CABINET

## 1680H x 760W x 380Dmm

ITEM NO: GOS001

**Very Important:** Unpack the unit and confirm that you have all the parts listed. Assemble the unit on a solid, level surface. Avoid carpet. You will need the assistance of a second person during assembly. **Safety tip:** For added safety and support we recommend you fix unit to a wall. **You will need the following:** Phillips-head screwdriver and a rubber mallet.

**WARNING** SERIOUS INJURY OR DEATH CAN BE CAUSED BY TOPPLING FURNITURE

**TO HELP PREVENT A TIP-OVER:**  
 •Anchor this product to a wall or other suitable surface with the provided "Tip over prevention kit". •Check anchors regularly  
**FOR MORE INFORMATION SEARCH: [www.productsafety.gov.au](http://www.productsafety.gov.au)**



**SAFETY TIP:**

When assembling or installing this product wear protective gloves and eyewear.

**Parts List**

NO.	PARTS NAME	PCS
A1	Top Panel	1 PC
B1	Left side panel	1 PC
B2	Right side panel	1 PC
C1	Left back panel	1 PC
C2	Right back panel	1 PC
D1	Shelf	4 PCS
E1	Front base bracket	1 PC
F1	Back base bracket	1 PC
R1	Right door	1 PC
L1	Left door	1 PC
I	Shelf support	16 PCS
J	M4x10mm Self tapping screw	20 PCS
K	Bottom hinge pin	2 PCS
M	Washer	2 PCS
N	Wiring grommet	2 PCS

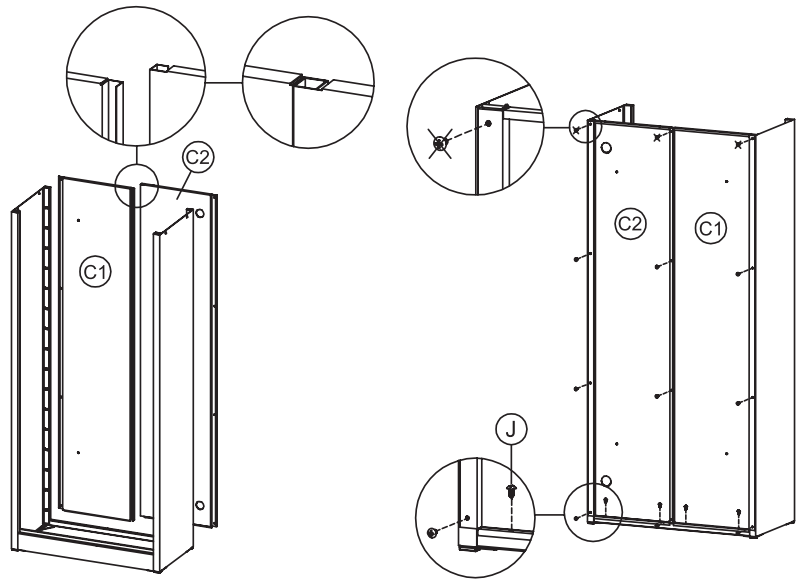
**PLEASE NOTE:** Tip-over prevention kit included (refer to last page for installation).

**Step 1**

Insert and slide front base bracket (E1) and back base bracket (F1) into the bottom of left side panel (B1) and right side panel (B2) as per the diagram opposite. Attach brackets using a screw (J) in each of the four corners as shown in the diagram. **TIP:** Use a trestle table or saw horse to make assembling easier.

## Step 2

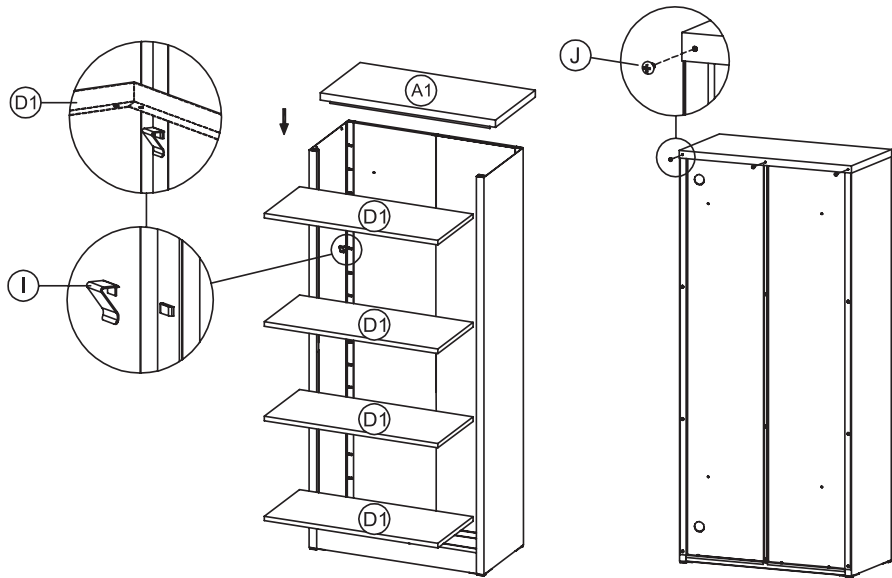
Stand unit upright and install the left back panel (C1) followed by the right back panel (C2). Fix the back panels with self tapping screws (J) as per the diagram opposite. NOTE: At this stage, fix all screws except those marked with a cross. TIP: You will require an extra pair of hands to assist from the opposite side while you fix the screws.



## Step 3

Install the top panel (part A1) ensuring you push it down over the two metal lips at the top of the side panels (parts B1 & B2). This will ensure the three panels are locked in place, allowing you to attach the doors.

Fix the top panel (A1) with the provided self tapping screws (J) as per the diagram opposite. Install the shelf supports (I) in all four corners leveled for each shelf (D1) at desired height.

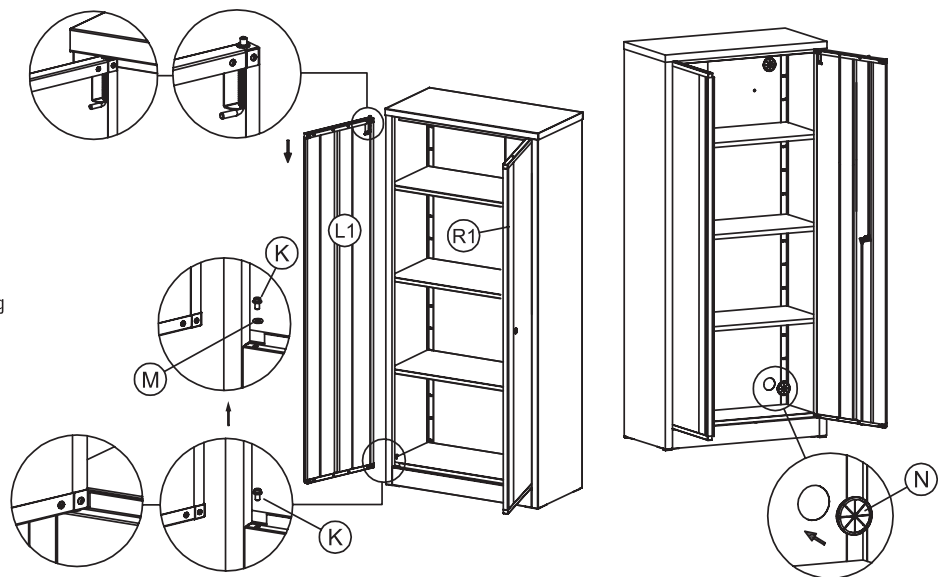


## Step 4

Install the right door (R1) and left door (L1) using the bottom hinge pins (K) and latches on the top. The space between the doors and the top panel can be adjusted using washers (M) if necessary. Insert wiring grommets (N) into pre-cut holes in back panel.

**Please note:** If you are having trouble attaching the doors (parts L1 & R1) please ensure part A1 from "Step 3" has engaged the lips on the side panels and is locked in place.

**Please refer to next page for attaching the provided Tip-over prevention kit.**



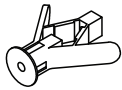
**WARRANTY CONDITIONS:** Any claim under this warranty must be made within 1 year of the date of purchase of the product. To make a claim under this warranty, take the product (with proof of purchase) to any Bunnings store (for AUS customers see [www.bunnings.com.au](http://www.bunnings.com.au) and for NZ customers see [www.bunnings.co.nz](http://www.bunnings.co.nz) for store locations). Pinnacle Hardware bears reasonable, direct expenses of claiming under the warranty. You may submit details and proof of purchase to our support centre for consideration. The warranty covers manufacturer defects in materials, workmanship and finish under normal use. This warranty is provided in addition to other rights and remedies you may have under law: Our goods come with guarantees that cannot be excluded under the Australian consumer law or Consumer Guarantees Act 1993 (NZ). You are entitled to a replacement or refund for a major failure and compensation for any other reasonably foreseeable loss or damage. You are also entitled to have the goods repaired or replaced if the goods fail to be of acceptable quality and the failure does not amount to a major failure. This warranty excludes damage resulting from product misuse or product neglect, any modifications, additions or alterations to the product including the addition of extra shelves. Additions or modifications can compromise the structure and safety of the product. The warranty covers domestic use only and does not apply to commercial applications. This warranty is given by Pinnacle Hardware, ABN 87 614 496 196, 28 Hudson Court, Keysborough Vic 3173, 1800 349 776, Email: [support@pinnacle.net.au](mailto:support@pinnacle.net.au). Products sold in New Zealand are imported by Bunnings New Zealand. 'Pinnacle' is a trademark. © Pinnacle Hardware. Suitable for model number G0S001.

# TIP OVER PREVENTION KIT:

**PLEASE NOTE:** We strongly recommend that this product is permanently fixed to a wall. Please use the provided “Tip over prevention kit” to securely fix product to your wall.



**Parts list:**



**A x2**



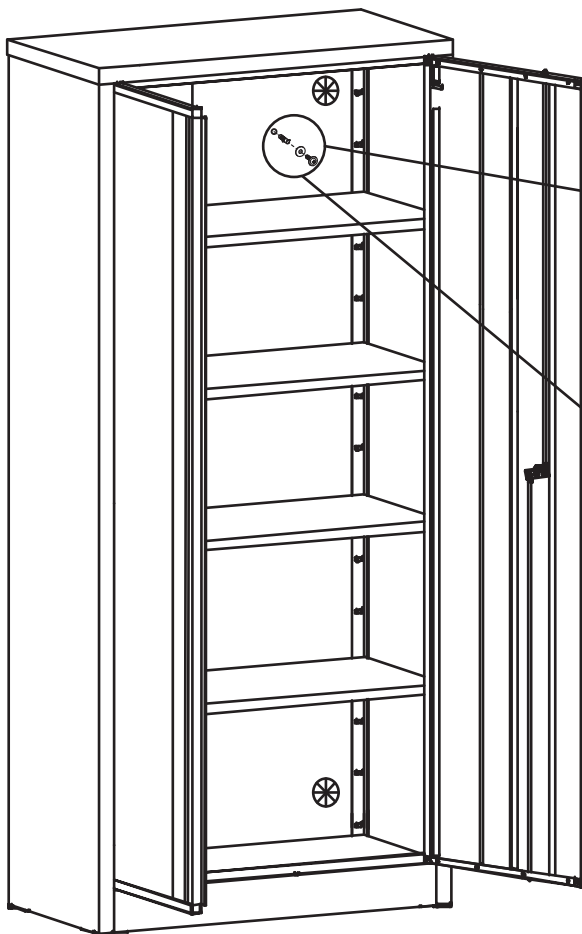
**B x2**



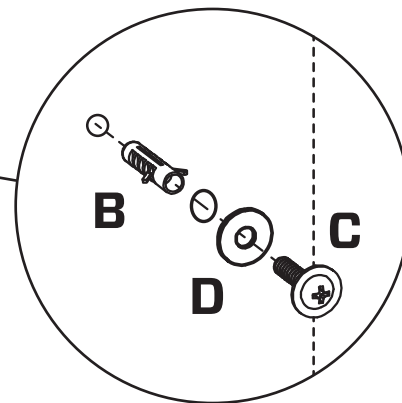
**C x2**



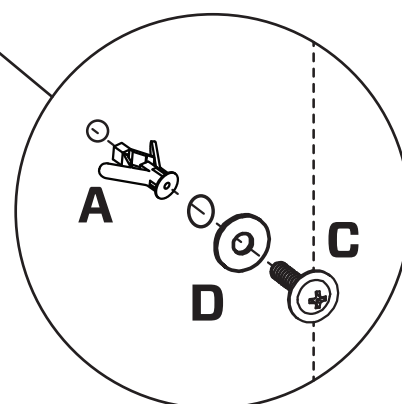
**D x2**



**Final Step (For Brick/Masonry wall):**



**Final Step (For Plaster wall):**



**It is STRONGLY RECOMMENDED that you ANCHOR this product.**

Toppling furniture can cause serious injuries and death.

A “Tip over prevention kit” has been provided with this product to stop your furniture from tipping forward, it is strongly recommended that you **securely attach this product** to a wall or other solid surface using the provided fixings.

**IMPORTANT:** Regularly check that anchors are securely maintained. Stability of tall items may be affected by thick pile carpet or uneven floors.

**CAUTION:**

For your safety when attaching the anchor fixings, please note the following:

- Check for any electrical wires or plumbing inside the wall before drilling any holes (if you are unsure please seek professional advice from a qualified tradesperson)
- Walls are constructed from different materials, for example, masonry (solid brick) or plasterboard lined cavity walls (hollow). It is important that you use the appropriate wall fixings for your wall type.