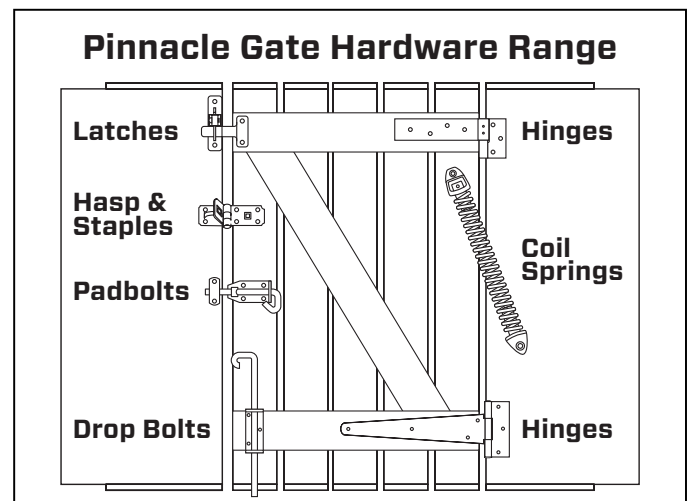
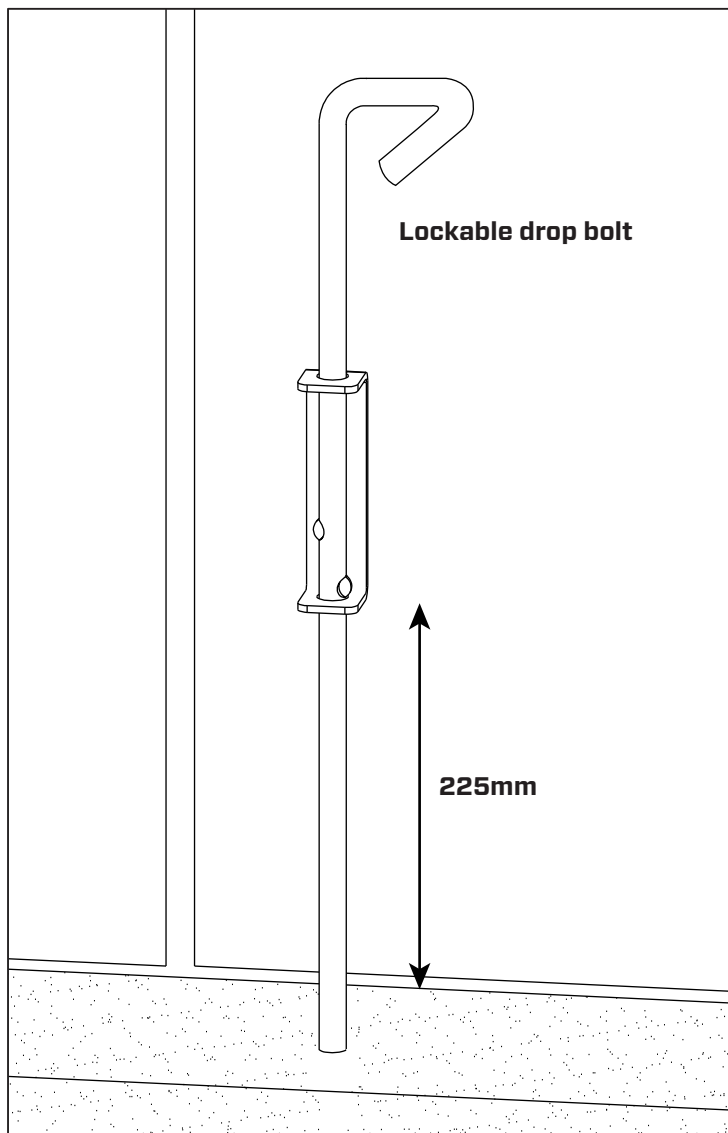


400mm Lockable Drop Bolt

Tools required: Pencil, No.2 Phillips screwdriver, drill and 3mm drill bit, plus tools to create the hole in the ground ie. 15mm drill bit etc.

Installation instructions:

1. Place the drop bolt against the gate in locked position.
2. Mark position for hole.
3. Drill hole to depth of 30mm using a 15mm drill bit.
4. Remove bolt from bracket, place bracket against gate 125mm from the ground.
5. Mark holes and drill the pilot holes using a 3mm drill bit.
6. Fix to your gate using the screws provided and insert the bolt back into bracket.
7. Test drop bolt functions as required.



Corrosion Protection Chart

| Finish: | Rating: | | | |
|-----------------|----------|--------|--------|--------|
| Stainless Steel | Ultimate | Shield | Shield | Shield |
| Galvanised | High | Shield | Shield | |
| Zinc Plated | Moderate | Shield | | |

Suitable for model no: GHS112.

CONNECT WITH US!
PINNACLE.NET.AU

