

75mm

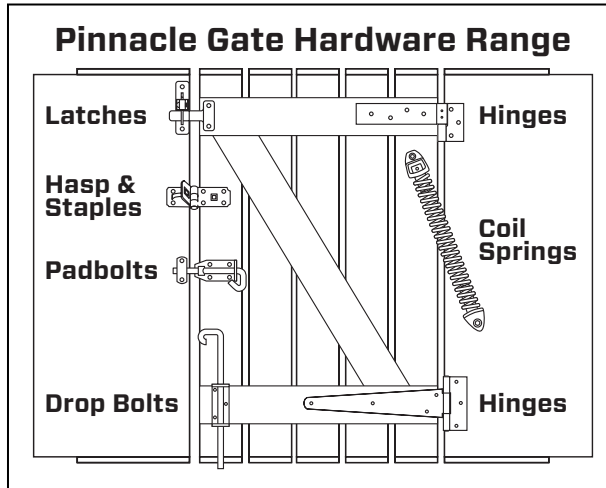
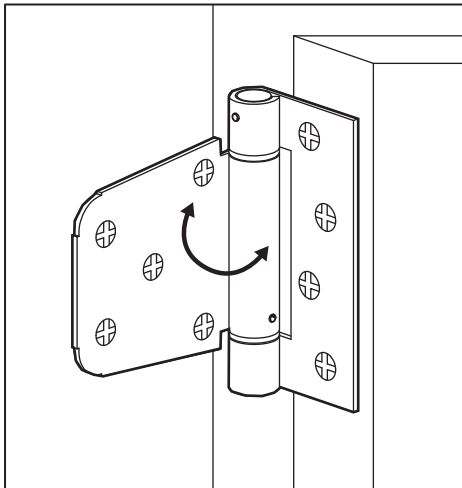
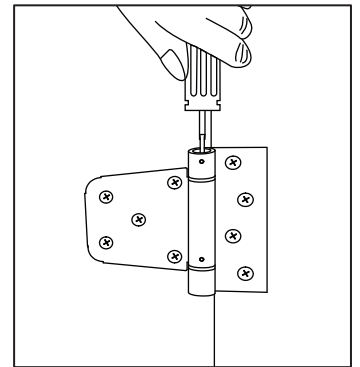
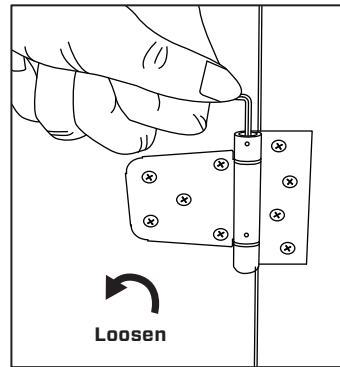
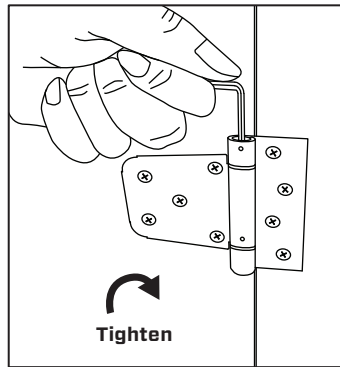
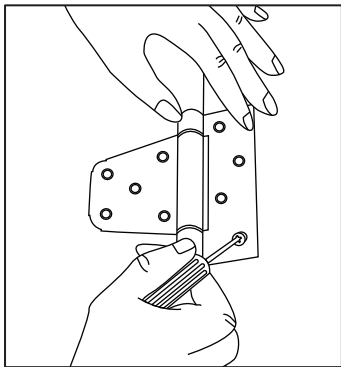
# Auto-Close Hinge



**Tools required:** Pencil, No.2 Phillips screwdriver, drill and 3mm drill bit.

## Installation instructions:

1. Position hinges on door/gate. Mark screw locations and drill pilot holes with 3mm drill bit. Fasten with screws.
2. Place door/gate in desired position and mark screw locations on frame/post. Mark and drill 3mm pilot holes and fasten with screws.
3. Loosen (gate closes slower) or tighten (gate closes faster) the spring hinge to meet your requirements. To tighten insert allen/hex key and turn clockwise. To loosen insert allen/hex key, push down and turn anti-clockwise.



## Corrosion Protection Chart

Finish:	Rating:	
Stainless Steel	Ultimate	🛡️🛡️🛡️
Galvanised	High	🛡️🛡️
Zinc Plated	Moderate	🛡️

Suitable for model no: GHS106, GHS107.

CONNECT WITH US!  
[PINNACLE.NET.AU](http://PINNACLE.NET.AU)

