

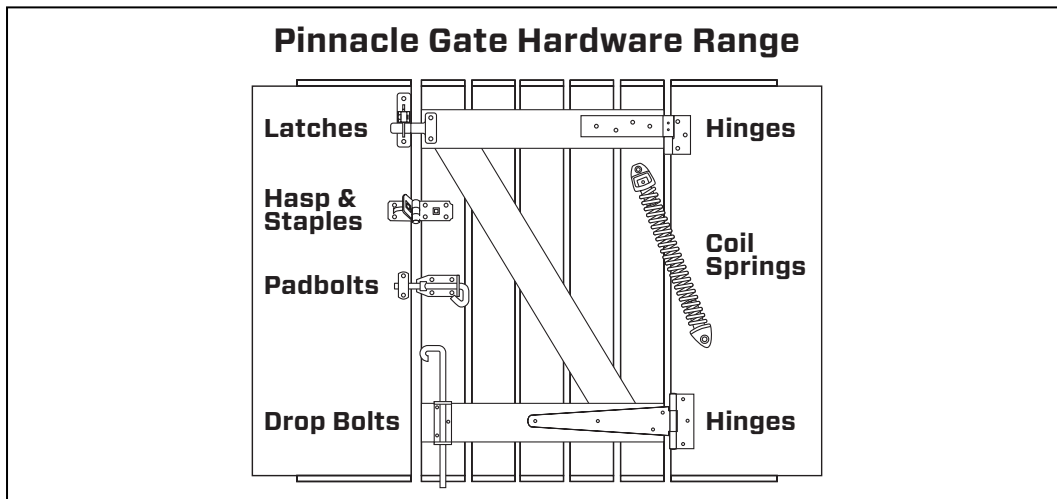
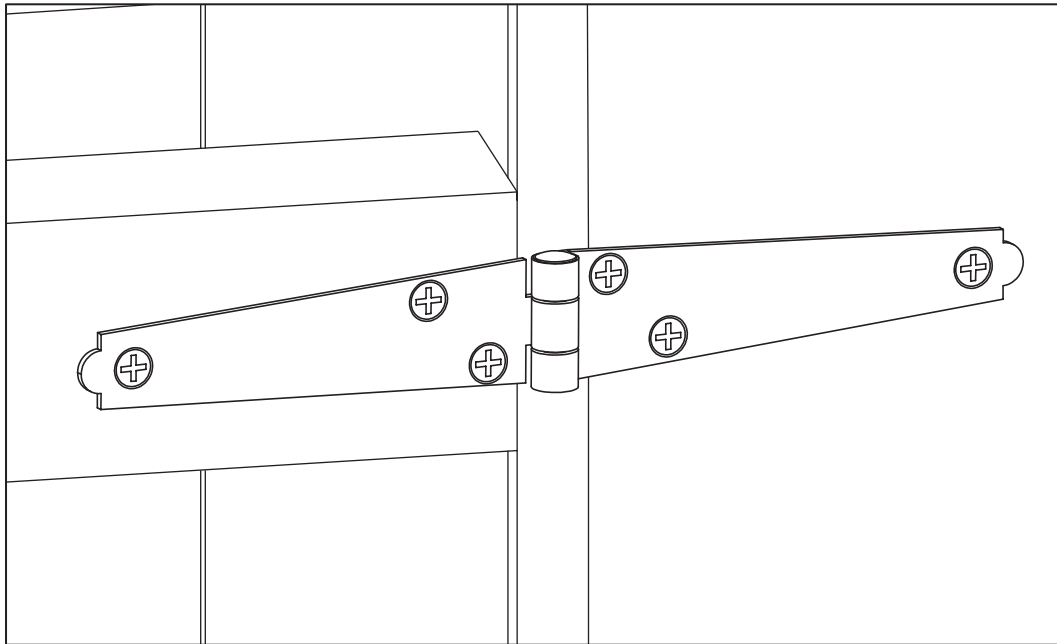
100mm

# Strap Hinge




**Tools required:** Pencil, No.2 Phillips screwdriver, drill and drill bit.

## Installation instructions:

1. Place hinge in desired location against the post and gate and mark screw locations.
2. Drill appropriate size pilot holes and fasten with screws.



## Corrosion Protection Chart

Finish:	Rating:
Stainless Steel	Ultimate 
Galvanised	High 
Zinc Plated	Moderate 

Suitable for model no: GHS071, GHS075.