

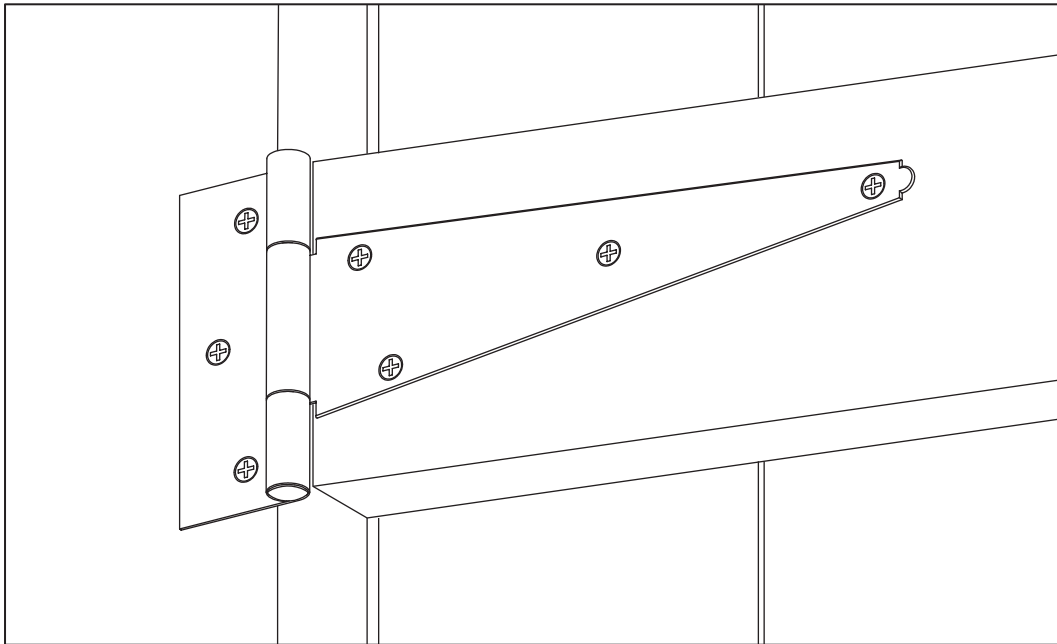
200mm

Scotch Tee Hinge

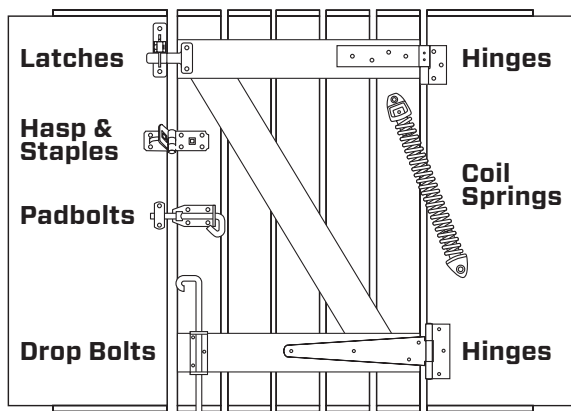
Tools required: Pencil, No.2 Phillips screwdriver, drill and drill bit.

Installation instructions:




1. Place hinge in desired location against the post and gate and mark screw locations.
2. Drill appropriate size pilot holes and fasten with screws.



Pinnacle Gate Hardware Range



Corrosion Protection Chart

Finish:	Rating:
Stainless Steel	Ultimate 
Galvanised	High 
Zinc Plated	Moderate 

Suitable for model no: GHS065, GHS066.