

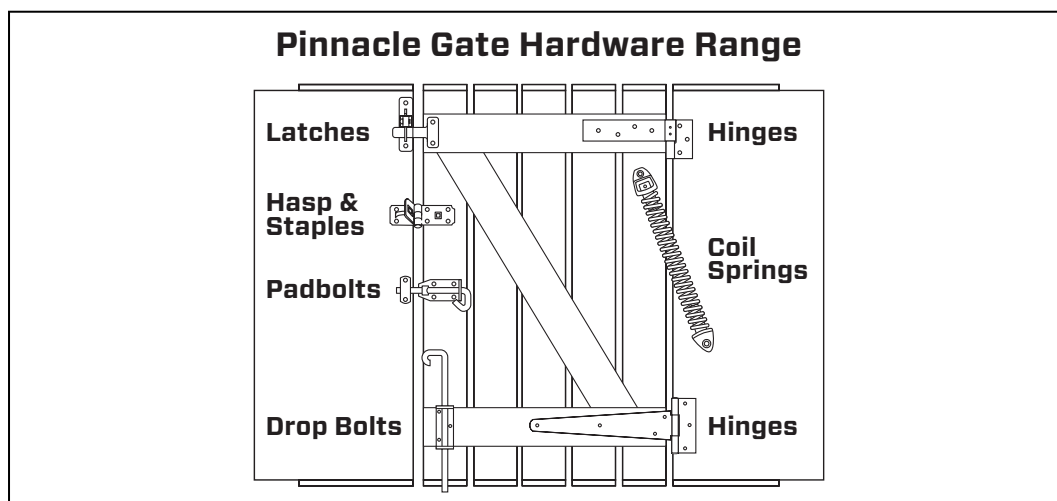
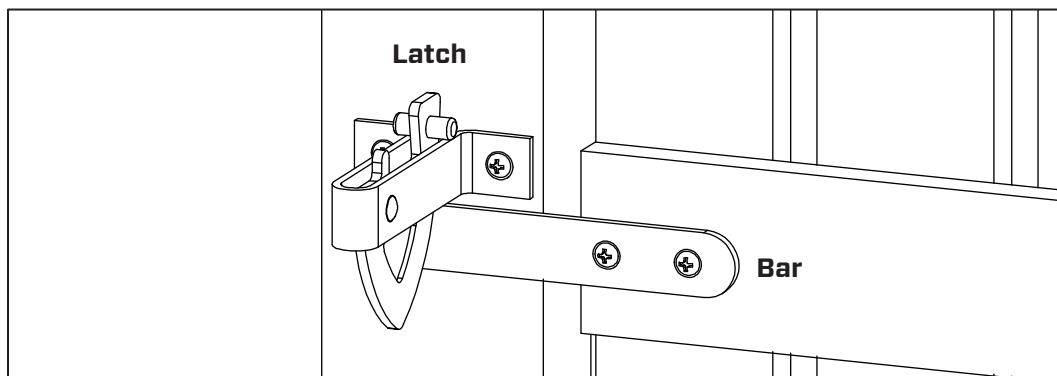
D-Pattern Gate Latch

Tools required: Pencil, No.2 Phillips screwdriver, drill and 2mm drill bit.

Installation instructions:

1. Place bar in desired location. Mark screw locations and drill pilot holes with 2mm drill bit. Fasten with screws.
2. Position latch so it engages with the bar correctly. Mark and drill 2mm pilot holes and fasten with screws.

Hint: If using on a gate we recommend the bar should be fixed to the gate and the latch fixed to the post.



Corrosion Protection Chart

Finish:	Rating:	
Stainless Steel	Ultimate	🛡️ 🛡️ 🛡️
Galvanised	High	🛡️ 🛡️
Zinc Plated	Moderate	🛡️

Suitable for model no: GHS036, GHS037, GHS038.

CONNECT WITH US!
PINNACLE.NET.AU

