

150mm

# Heavy Duty Barrel Bolt



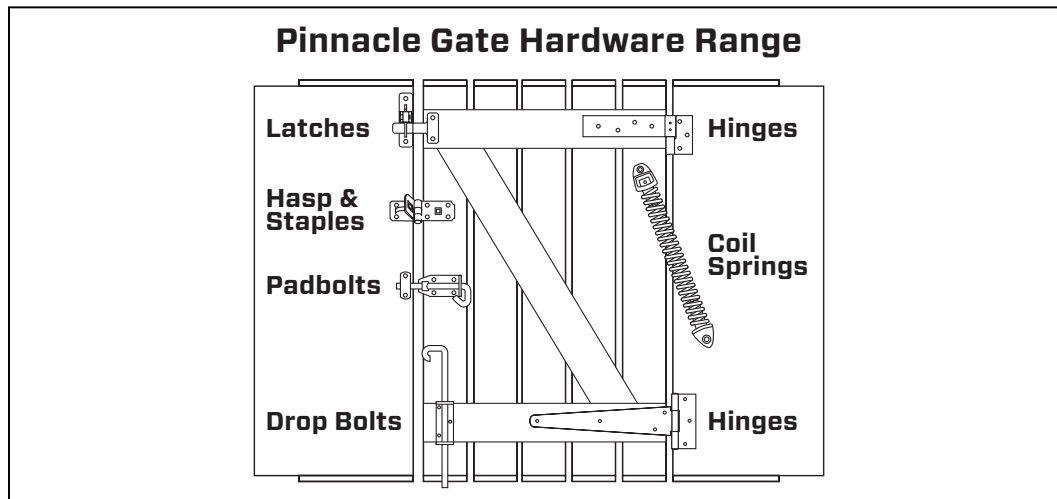
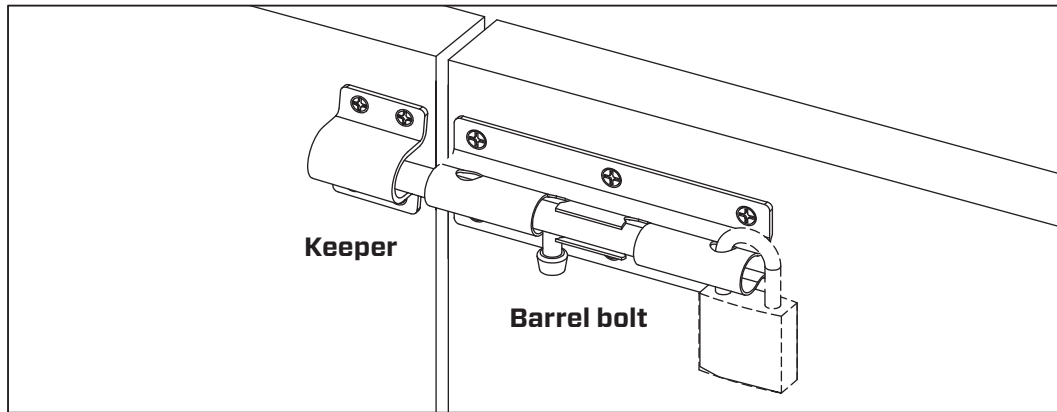
**Important:** For this barrel bolt, use a padlock that's 40mm or larger.

**Tools required:** Pencil, No.2 Phillips screwdriver, drill and 2mm drill bit.

## Installation instructions:

1. Position barrel bolt (in extended/locked position) in desired location. Mark screw locations and drill pilot holes with 2mm drill bit. Fasten with screws.
2. Position the keeper over the end of barrel bolt. Mark and drill 2mm pilot holes and fasten with screws.

**Hint:** If using on a gate we recommend the barrel bolt should be fixed to the gate and the keeper fixed to the post.



## Corrosion Protection Chart

Finish:	Rating:
Stainless Steel	Ultimate
Galvanised	High
Zinc Plated	Moderate

Suitable for model no: GHS014.

CONNECT WITH US!  
[PINNACLE.NET.AU](http://PINNACLE.NET.AU)

