

Slimline Combination Entrance Set

Very Important!

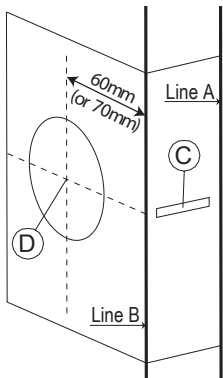
This Slimline entrance lever set is designed to suit either left or right hand opening doors. Please fasten all screws by hand and not an electric screw driver or drill, as over tightening is not recommended.

SAFETY TIP:

When assembling or installing this product wear protective gloves and eyewear.

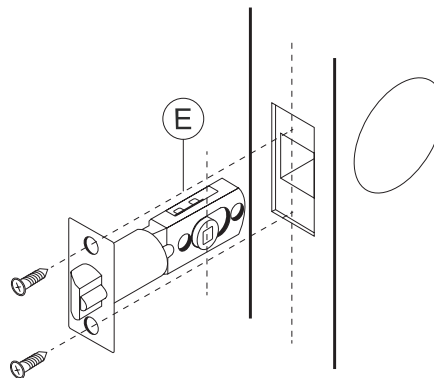
Instructions to install this Slimline entrance lever set

If installing this entrance set into a new door you will need the following tools - 25mm spade bit, 2mm drill bit, 54mm hole saw, corded or cordless drill, hammer, wood chisel, Phillips head screwdriver, tape and pencil. If you are replacing an existing lever you shouldn't require the drill, hole saw or spade bit as this lever will replace most standard levers.



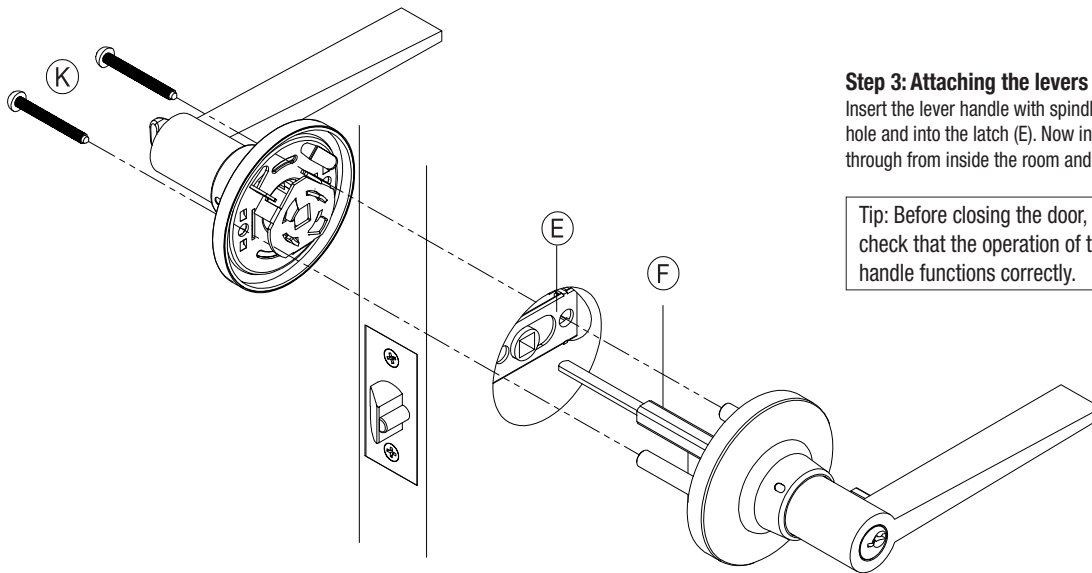
Step 1: Preparation

Cut template on line (A) & fold on line (B) as shown. Place on door at your preferred height and mark both the latch height (C) and centre of handle hole (D) with a pencil. Remove template, and measure the thickness of door to mark the centre point of the door edge. Use a 25mm spade bit to drill an accurate hole through the door edge, and using a hole saw, drill a 54mm hole through the door front. Accuracy is vital so mark and measure carefully and drill holes level.



Step 2: Installing the Latch

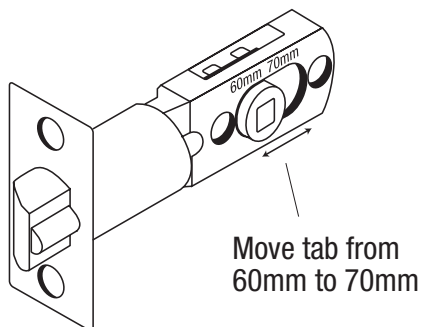
Place Latch (E) into the 25mm hole on the side of the door and mark the door around the square plate with a pencil. Using a hammer and a chisel check out the timber so that the latch fits into the newly created recess and finishes flush with door. Once completed push latch into place and drill 2mm pilot holes into the door edge, simply use screwdriver to insert the timber screws included.



Step 3: Attaching the levers to door.

Insert the lever handle with spindle (F) through the door hole and into the latch (E). Now insert the two screws (K) through from inside the room and tighten firmly.

Tip: Before closing the door, check that the operation of the handle functions correctly.

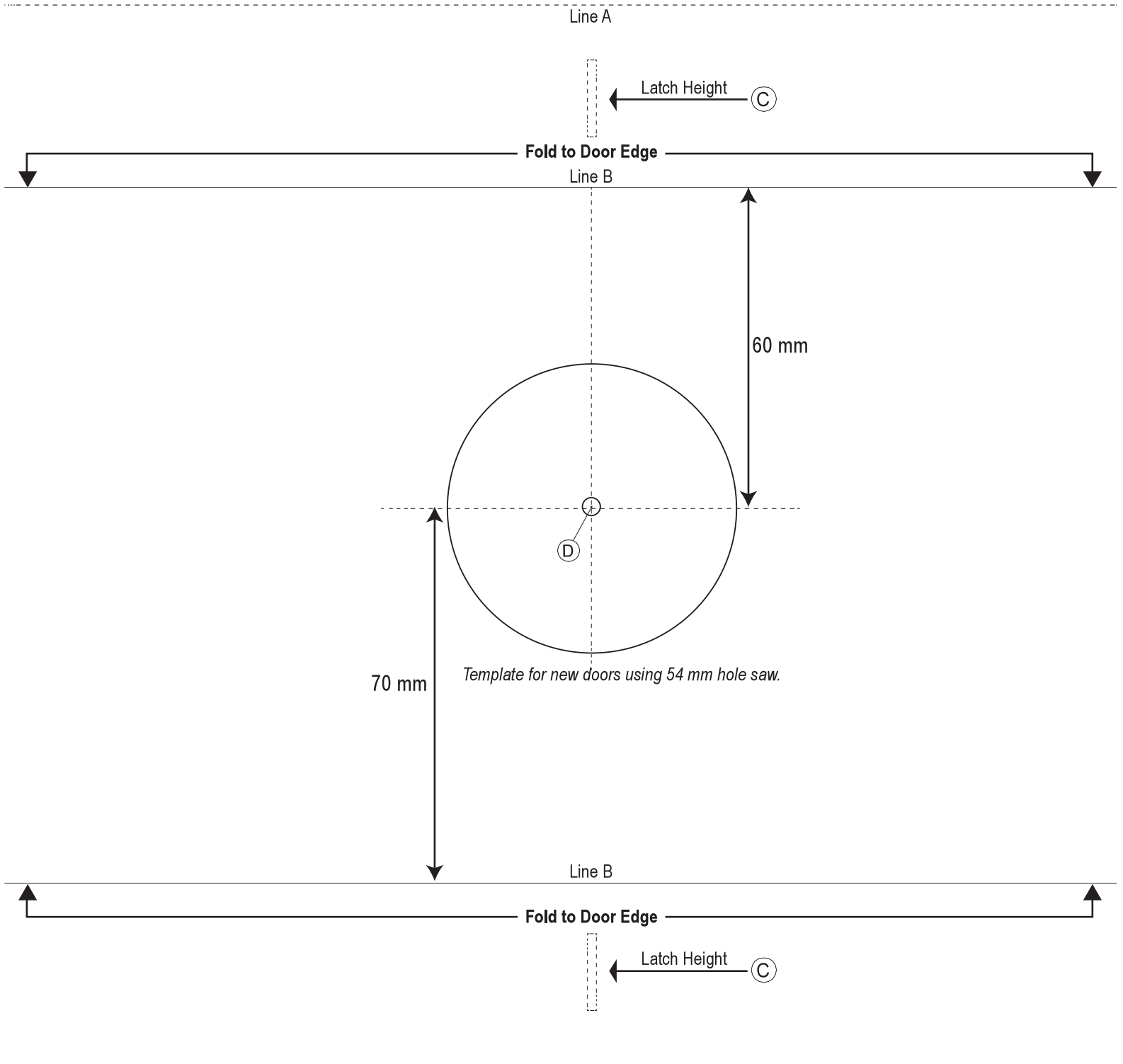


How to convert latch from 60mm to 70mm

Slide tab from the marked 60mm position to the 70mm position.

Slimline Entrance Lever

Drilling template - 60mm or 70mm latch



Double Cylinder Deadbolt

Very Important!

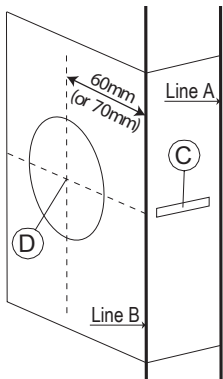
Please fasten all screws by hand and not an electric screw driver or drill, as over tightening is not recommended.

SAFETY TIP:

When assembling or installing this product wear protective gloves and eyewear.

Instructions to install the Deadbolt.

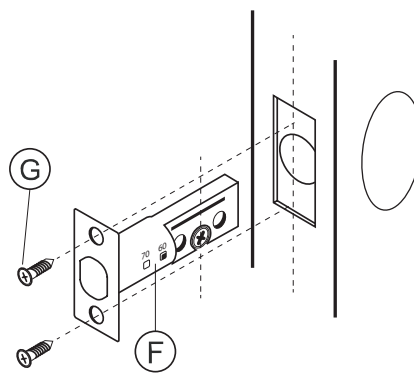
If installing this deadbolt into a new door you will need the following tools - 25mm spade bit, 2mm drill bit, 54mm hole saw, corded or cordless drill, hammer, wood chisel, Phillips head screwdriver, tape and pencil. If you are replacing an existing deadbolt you shouldn't require the drill, hole saw or spade bit as it will replace most standard dead bolts.



Step 1: Preparation

Cut template on line (A) & fold on line (B) as shown. Place on door at your preferred height and mark both the latch height (C) and centre of handle hole (D) with a pencil. Remove template, and measure the thickness of door to mark the centre point of the door edge. Use a 25mm spade bit to drill an accurate hole through the door edge, and using a hole saw, drill a 54mm hole through the door front.

Accuracy is vital so mark and measure carefully and drill holes level.



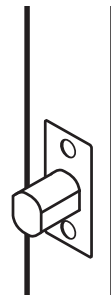
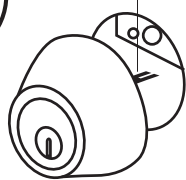
Step 2: Installing the Latch

Place Latch (F) into the 25mm hole on the side of the door and mark the door around the square plate with a pencil. Using a hammer and a chisel, check out the timber so that the latch fits into the newly created recess and finishes flush with the door. Once completed push latch into place and drill 2mm pilot holes into the door edge, then simply screw the Timber Screws (G) into place. Ensure the arrow on deadbolt is facing upwards direction.

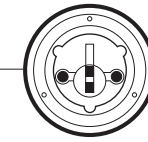
Exterior deadbolt



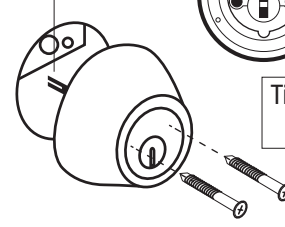
Tip: This spindle must remain horizontal



Interior deadbolt

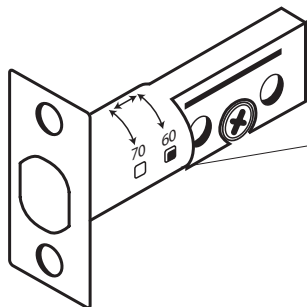


Tip: This spindle must remain vertical



Step 3: Attaching the cylinders to door.

Fit outside cylinder (without screws) onto the door whilst positioning the spindle horizontally, passing through cam in latch. Attach internal cylinder with spindle vertically onto door. Align screws and tighten firmly.



Twist, pull and twist from 60mm to 70mm

How to convert Deadbolt Latch from 60mm to 70mm

Twist anti-clockwise and pull the latch outwards. Twist clockwise until the tab clicks in place at the 70mm square marking.

WARRANTY CONDITIONS

Any claim under this warranty must be made within 3 years of the date of purchase of the product. To make a claim under this warranty, take the product (with proof of purchase) to any Bunnings store (see www.bunnings.com.au for store locations). Pinnacle Hardware bears reasonable, direct expenses of claiming under the warranty. You may submit details and proof of purchase to our support center for consideration. The warranty covers manufacturer defects in materials, workmanship and finish under normal use. This warranty is provided in addition to other rights and remedies you may have under law: Our goods come with guarantees that cannot be excluded under the Australian consumer law or Consumer Guarantees Act 1993 (NZ). You are entitled to a replacement or refund for a major failure and compensation for any other reasonably foreseeable loss or damage. You are also entitled to have the goods repaired or replaced if the goods fail to be of acceptable quality and the failure does not amount to a major failure. This warranty excludes damage resulting from product misuse or product neglect. The warranty covers domestic use only and does not apply to commercial applications. This warranty is given by Pinnacle Hardware, ABN 87 614 496 196, 28 Hudson Court, Keysborough Vic 3173, 1800 349 776, Email: support@pinnacle.net.au. New Zealand customers please contact HARKCO (Harkness & Young Ltd), 09 27 64071, Email: sales@harknessyoung.co.nz. 'Pinnacle' is a trademark. © Pinnacle Hardware. Suitable for model number 0123360.

Double Cylinder Deadbolt

