

Privacy Adaptor

Very Important: This Privacy Adaptor is designed to be installed in conjunction with Ikonics Heritage Knobs and Ikonics Door Latches.

Instructions to install this Privacy Adaptor: If installing this Privacy Adaptor and Knob into a new door you will need the following tools - 25mm spade bit, 2mm drill bit, 54mm hole saw, corded or cordless drill, hammer, wood chisel, Phillips head screwdriver, tape and pencil. If you are replacing an existing knob with a 54mm hole drilled you should not require the drill, hole saw or spade bit as this lever will replace most standard knobs. If you have an older door with a 23mm hole drilled you will also require an 8mm and 10mm drill bit.

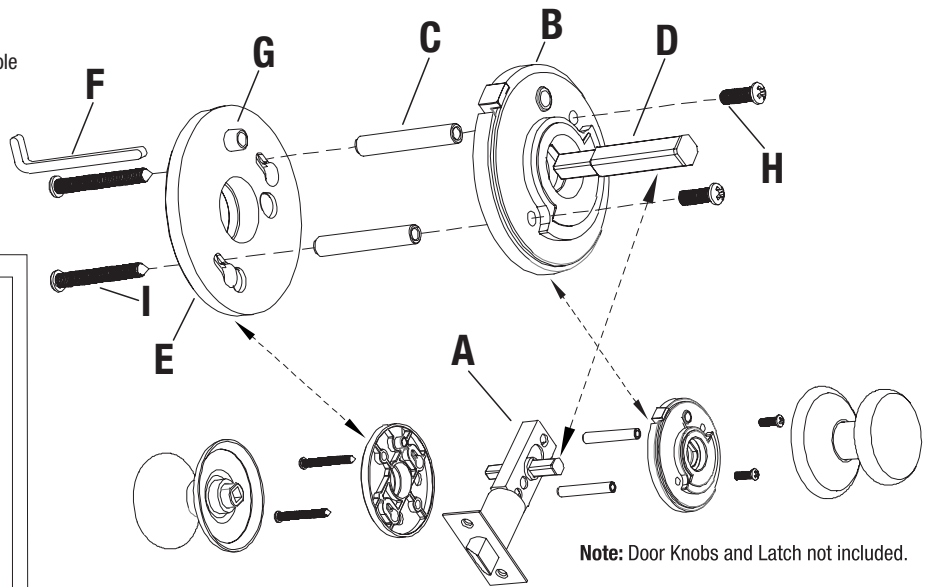
SAFETY TIP:

When assembling or installing this product wear protective gloves and eyewear.

Assembly:

- A. Latch
- B. Inside Assembly (locking side)
- C. Brass Posts (supplied with knobset)
- D. Spindle
- E. Outside Assembly (emergency release side)
- F. Emergency Release Bar
- G. Emergency Release Bar Hole
- H. Short Screws
- I. Long Screws

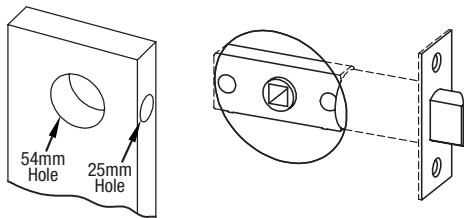
Note: The items in this Privacy Adaptor kit will replace the fixing plates and spindle in your current knob set.



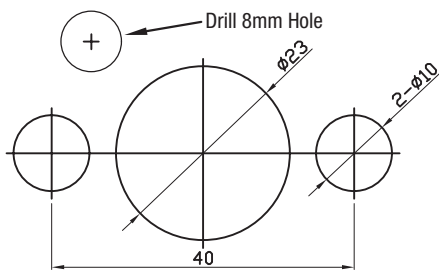
Note: Door Knobs and Latch not included.

Installation:

Step 1. For modern doors with a 54mm hole through the door face and 25mm hole through the doors edge this product will fit straight in as per the diagram below.



For older doors with a hole smaller than 54mm through the door face you will need to drill some additional holes, Please use the installation template below.

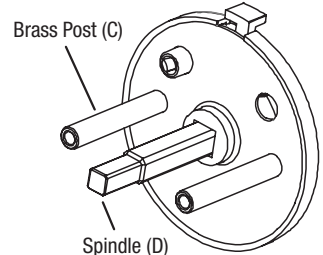


Place template on the inside door face (locking side)

Step 2. Place the latch (A) into position and fix with the provided screws.

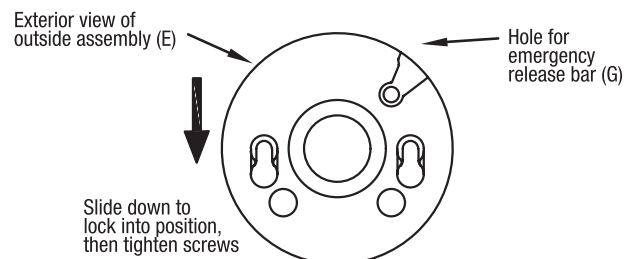
Step 3. Insert the 2 short screws (H) through the inside assembly (B) and attach the brass posts (C).

Step 4. Position the spindle (D) into the square hole on the inside assembly (B) and insert the brass posts (C) and spindle (D) through the latch (A) into position on the door as per the diagram below.



Step 5. Insert the long screws (I) into the brass posts (C) ensuring you do not tighten completely and some thread is still visible.

Step 6. Ensure the hole for the emergency release bar is facing upwards and slide the keyholes on the outside assembly (E) over the long screw heads (I) in the brass posts (C) and slide down to engage the keyhole.



Step 7. Once the keyholes on the outside assembly (E) have engaged the long screw heads (I) tighten the long screws (I) to hold the outside assembly (E) firmly in place.

IMPORTANT: Ensure you test the function of your knob and its locking systems including the emergency release bar (F) before closing your door.

WARRANTY CONDITIONS

Any claim under this warranty must be made within 3 years of the date of purchase of the product. To make a claim under this warranty, take the product (with proof of purchase) to any Bunnings store (see www.bunnings.com.au for store locations). Pinnacle Hardware bears reasonable, direct expenses of claiming under the warranty. You may submit details and proof of purchase to our support center for consideration. The warranty covers manufacturer defects in materials, workmanship and finish under normal use. This warranty is provided in addition to other rights and remedies you may have under law. Our goods come with guarantees that cannot be excluded under the Australian consumer law or Consumer Guarantees Act 1993 (NZ). You are entitled to a replacement or refund for a major failure and compensation for any other reasonably foreseeable loss or damage. You are also entitled to have the goods repaired or replaced if the goods fail to be of acceptable quality and the failure does not amount to a major failure. This warranty excludes damage resulting from product misuse or product neglect. The warranty covers domestic use only and does not apply to commercial applications. This warranty is given by Pinnacle Hardware, ABN 87 614 496 196, 28 Hudson Court, Keysborough Vic 3173, 1800 349 776, Email: support@pinnacle.net.au. New Zealand customers please contact HARC0 (Harkness & Young Ltd), 09 27 64071, Email: sales@harknessyoung.co.nz. 'Pinnacle' is a trademark. © Pinnacle Hardware. Suitable for model numbers 0110129, 0110130 and 0110131