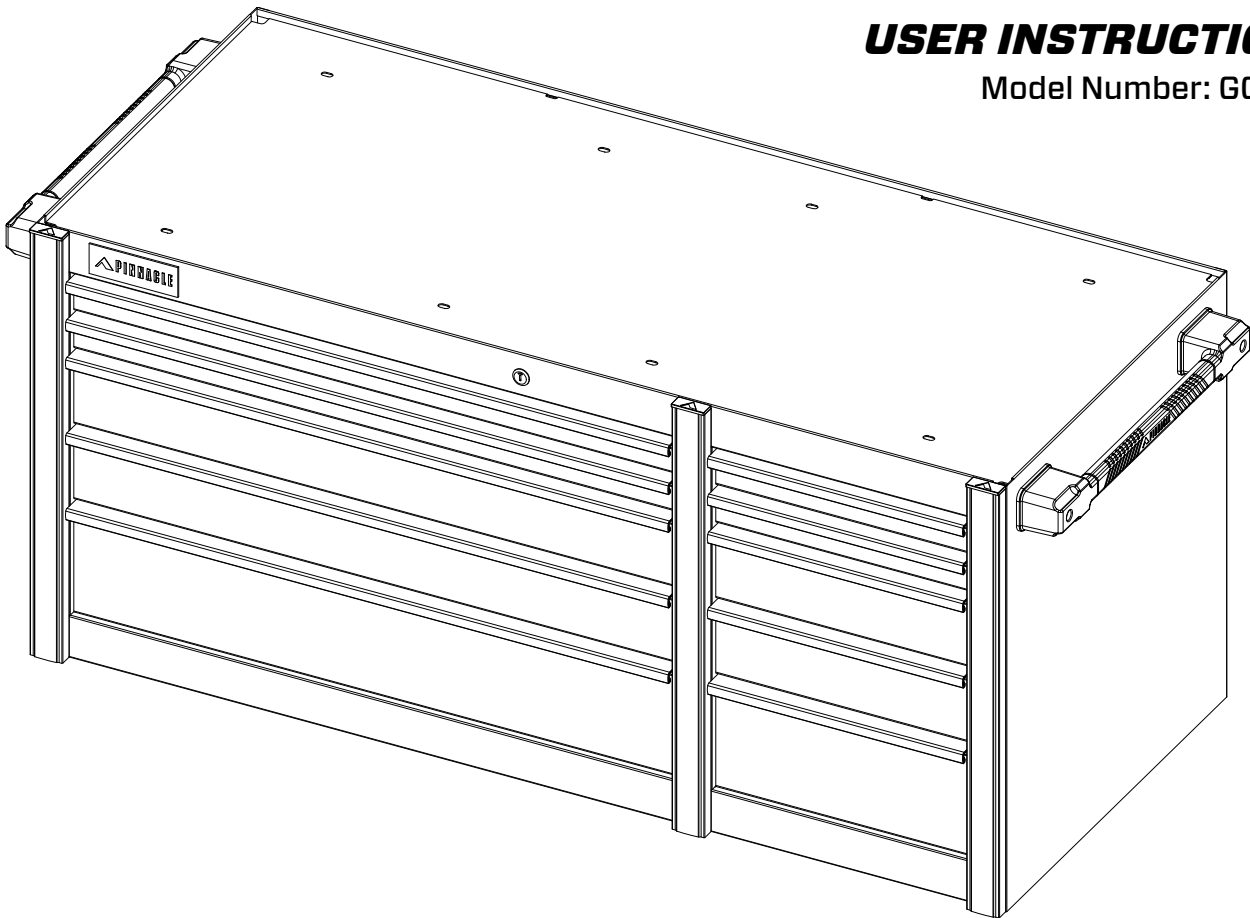


PRO SERIES **56" TOOL CHEST**

USER INSTRUCTIONS:

Model Number: GOS204

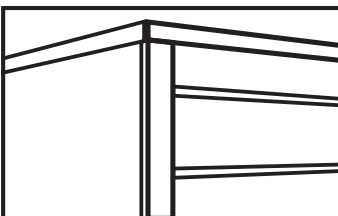


HEIGHT | **WIDTH** | **DEPTH**
655mm | **1420mm** | **635mm**

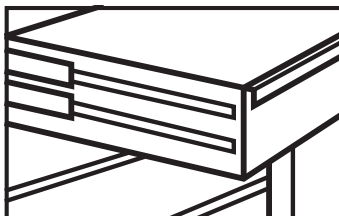
POWDER COATED
MATTE BLACK

10 DRAWERS

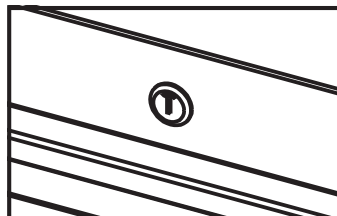
257,000 CUBIC CM STORAGE CAPACITY



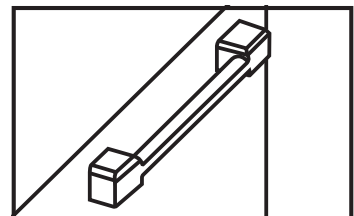
1.5mm DOUBLE WALL STEEL FRAME



UP TO: **200kg** DRAWER/SLIDER WEIGHT RATING



KEY LOCKABLE



METAL HANDLES

PINNACLE
HARDWARE

WARNING

SERIOUS INJURY OR DEATH CAN BE CAUSED BY TOPPLING FURNITURE

TO HELP PREVENT A TIP-OVER:

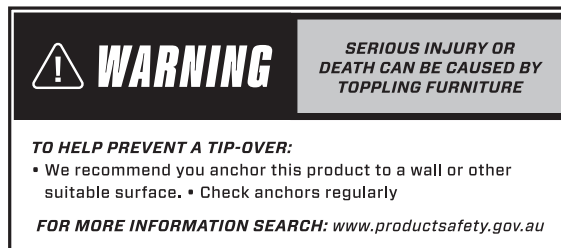
- We recommend you anchor this product to a wall or other suitable surface. • Check anchors regularly

FOR MORE INFORMATION SEARCH: www.productsafety.gov.au

IMPORTANT SAFETY INSTRUCTIONS:

When using your garage equipment, basic safety precautions should always be followed, including the following:

1. Read all instructions
2. Do not operate equipment with a damaged cord or if the equipment has been dropped or damaged until it has been examined by a qualified service person.
3. Do not let a cord hang over the edge of the table, bench or counter or contact with hot manifolds or moving fan blades.
4. If an extension cord is necessary, a cord with a current rating equal to or more than that of the equipment should be used. Cords rated for less current than the equipment may overheat. Care should be taken to arrange the cord so that it will not be tripped over or pulled.
5. Always unplug equipment from electrical outlet when not in use. Never use the cord to pull the plug from the outlet. Grasp plug and pull to disconnect.
6. Loop cord loosely around equipment when storing.
7. To reduce the risk of fire, do not operate equipment in the vicinity of open containers of flammable liquids (petrol).
8. Adequate ventilation should be provided when working on operating internal combustion engines.
9. Keep hair, loose clothing, fingers, and all parts of body away from moving parts.
10. To reduce the risk of electric shock, do not use on wet surfaces or expose to rain.
11. Use only as described in this manual. Use only manufacturer's recommended attachments.
12. Always use safety glasses, Everyday glasses only have impact resistant lenses, they are not safety glasses.
13. To reduce the risk of injury, close supervision is necessary when this product will be used around children.
14. To reduce the risk of injury, never overload the drawers. Refer to loading instructions.
15. To reduce the risk of electric shock or fire, never overload receptacles. Refer to markings for the proper load on receptacles.
16. TO PREVENT SERIOUS INJURY AND DEATH FROM TIPPING: DO NOT SIT, STAND OR CLIMB ON THIS ITEM.



17. This product is not a toy nor a toy chest. Do not allow children to play with or near this item.
18. Assemble only according to these instructions. Improper assembly can create hazards.
19. Keep assembly area clean and well lit.
20. Weight capacity and other product capabilities apply to properly and completely assembled product only.
21. Do not have more than one Drawer open at a time.
22. Do not lift using handle(s). Do not move or lift while loaded.
23. Lock Swivel Casters after moving.
24. Do not mount on truck bed or any other moving object.
25. Inspect before every use; do not use if parts are loose or damaged.

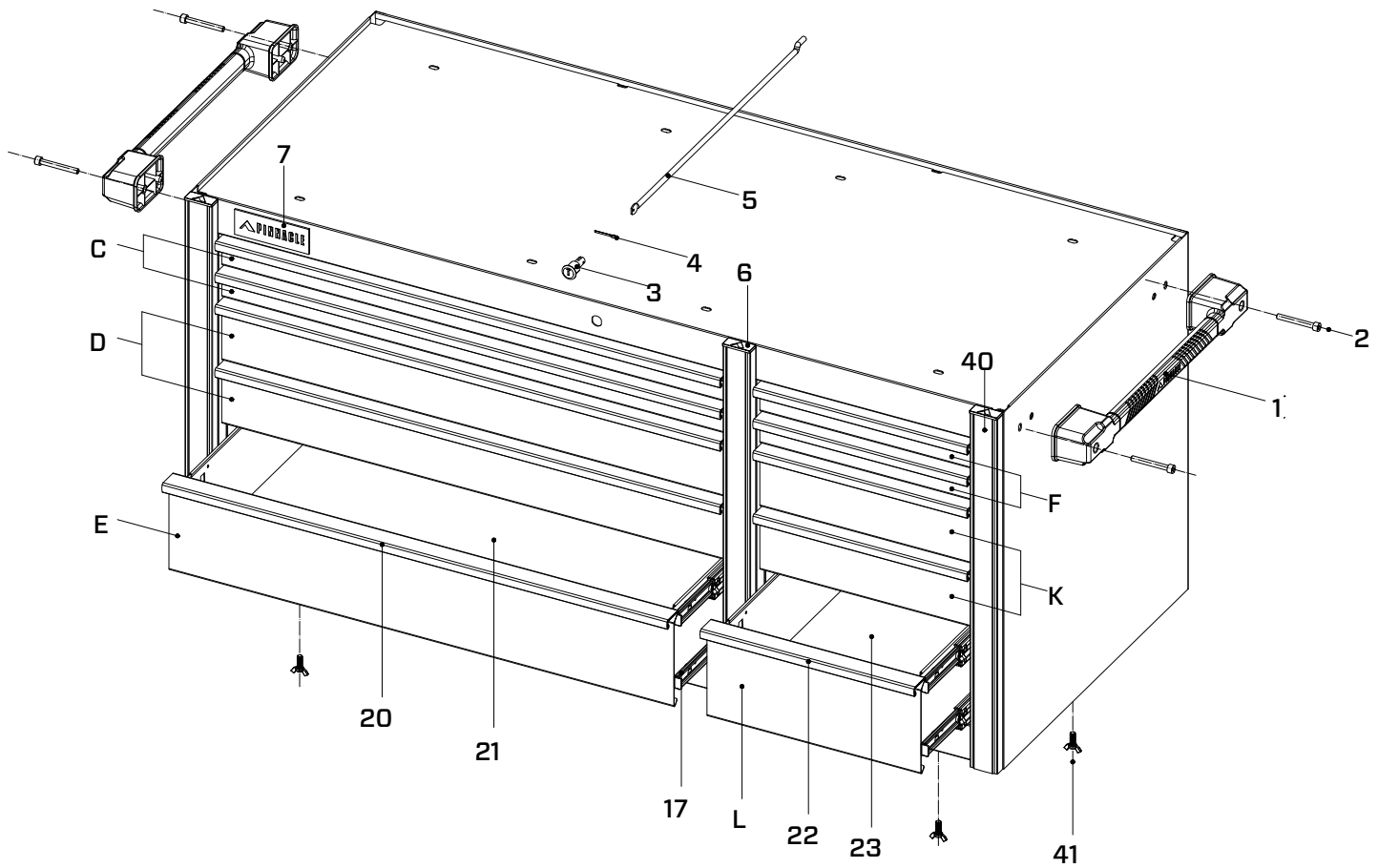
CONNECT WITH US!
PINNACLE.NET.AU



PARTS LIST:

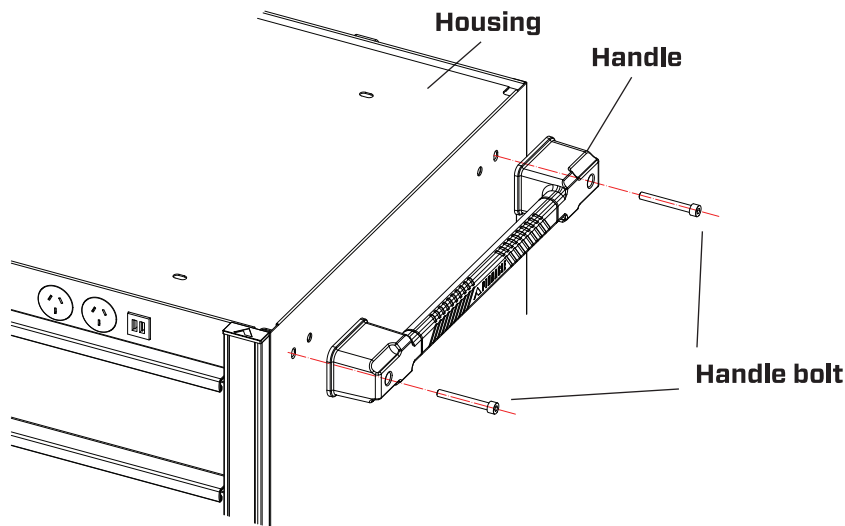
Part	Description	QTY
1	Handle	2
2	M8 x 65mm Handle Bolt	4
3	Lock	1
4	Lock Connection	1
5	Lock Bar	1
6	Trim End Cap	3
7	Pinnacle Badge	1
17	Drawer Slider	12 pairs
20	Drawer C/D/E Trim	5
21	Drawer C/D/E Liner	5

Part	Description	QTY
22	Drawer F/K/L Trim	5
23	Drawer F/K/L Liner	5
40	Vertical Trim	3
41	M8 x 20mm Bolt	4
C	Drawer C	2
D	Drawer D	2
E	Drawer E	1
F	Drawer F	2
K	Drawer K	2
L	Drawer L	1



ASSEMBLY INSTRUCTIONS:

1. Bolt handles to each end of the housing using the two M8 handle bolts for each handle.



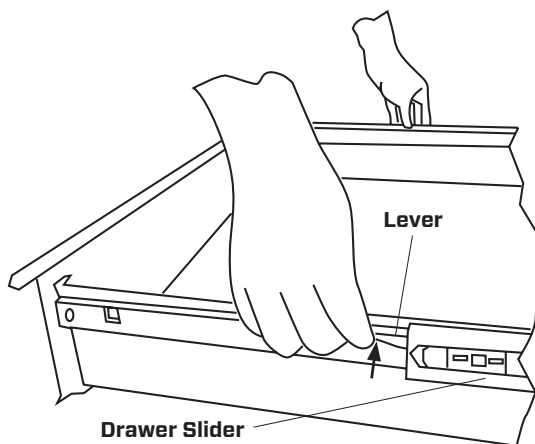
RECONFIGURING DRAWERS:

1. Drawers of the same height and width can be rearranged.

WARNING! To prevent serious injury or death from tipping, all drawers must be reinstalled before use. Do not use if partially assembled.

WARNING! To prevent serious injury from electric shock, disconnect power cord from trolley before reconfiguring drawers.

2. Remove the drawers you want to move.
To do this, please follow the below steps:
 - a. Slide the drawer out until it stops and empty all of its contents.
 - b. There will be a small lever at the end of each drawer slider. Push up on the right lever and down on the left lever.
 - c. While holding the levers, slide the drawer out completely and place on a flat stable surface.



3. After removing the drawers, check where the slides are positioned on them. All sliders on each drawer must be fully supported by drawer sliders.
4. Reposition drawer sliders as needed to properly support the drawer as explained in the following steps.
5. Install the drawers according to the following instructions:

- a. Select a properly sized drawer to install.
- b. Confirm that all drawer sliders are properly aligned with the sliders on the trolley.
- c. Slide all drawer sliders out fully.
- d. Confirm that ball bearing racks are at the front of each slide.
- e. Carefully partially slide the drawer in and check again that all sliders are engaging properly.

NOTICE: Do not force the drawer.

If the drawer does not slide in easily, the sliders are likely misaligned or not installed correctly.

- f. Slide the drawer in completely.
- g. Slide it back out to make sure the sliders keep it from coming disengaged.
- h. Slide the drawer closed.

MAINTENANCE AND SERVICING:



To prevent serious injury from tool failure: Do not use damaged equipment. If any part becomes damaged, have the problem corrected before further use.

To prevent serious injury from electric shock: Disconnect the power cord from the cabinet before maintenance and servicing.

1. Periodically, inspect the general condition of the trolley. Check for:

- Loose hardware,
- Misalignment or binding of moving parts,
- brake operation,
- Castor swivel function and movement,
- Cracked or broken parts,
- Any other condition that may affect its safe operation.

2. Wipe external surfaces of the trolley with a clean cloth.

WARRANTY CONDITIONS:

This product comes with a lifetime warranty*. To make a claim under this warranty, take the product (with proof of purchase) to any Bunnings store (for AUS customers see www.bunnings.com.au and for NZ customers see www.bunnings.co.nz for store locations).

Pinnacle Hardware bears reasonable, direct expenses of claiming under the warranty. You may submit details and proof of purchase to our support centre for consideration. The warranty covers manufacturer defects in materials, workmanship and finish under normal use.

This warranty is provided in addition to other rights and remedies you may have under law: Our goods come with guarantees that cannot be excluded under the Australian consumer law or Consumer Guarantees Act 1993 (NZ).

You are entitled to a replacement or refund for a major failure and compensation for any other reasonably foreseeable loss or damage. You are also entitled to have the goods repaired or replaced if the goods fail to be of acceptable quality and the failure does not amount to a major failure.

*This warranty excludes damage resulting from product misuse or product neglect, any modifications, additions or alterations to the product including the addition of extra shelves. Additions or modifications can compromise the structure and safety of the product. The warranty covers domestic use only and does not apply to commercial applications.

This warranty is given by Pinnacle Hardware, ABN 87 614 496 196, 45-49 Whitfield Boulevard, Cranbourne West VIC 3977, 1800 349 776, Email: support@pinnacle.net.au.

Products sold in New Zealand are imported by Bunnings New Zealand.

'Pinnacle' is a trademark. © Pinnacle Hardware.

Suitable for model number GOS204.