

PET HAUS



LARGE | 700W X 1000D X 850HMM

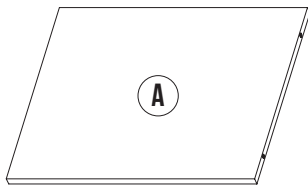
IMPORTANT: Before you commence assembling this unit, open carton and lay all parts out to check all the parts against the parts list included in the instructions. This will ensure that you become familiar with each part and make assembling faster.

You will need the following: Phillips-head screwdriver, allen key (included) and scissors.

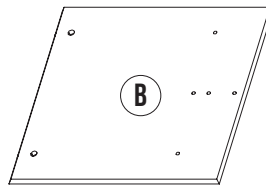
SAFETY TIP:

When assembling or installing this product wear protective gloves and eyewear.

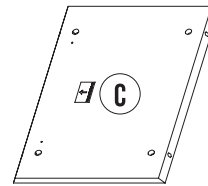
Parts List



Base Panel x1



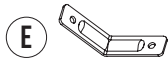
Side Panel x2



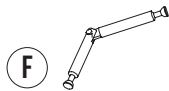
Top Panel x2



Support Panel x1



Brace Bracket x2



Folding Rod x9



Fixing Wheel x18



M6x35mm x10



M4x16mm x4

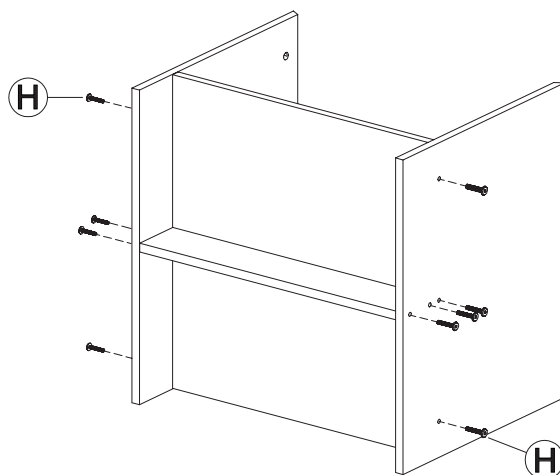
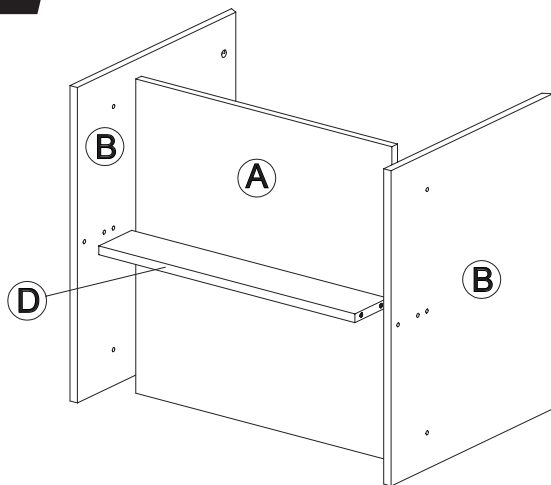


Floor Protector x1

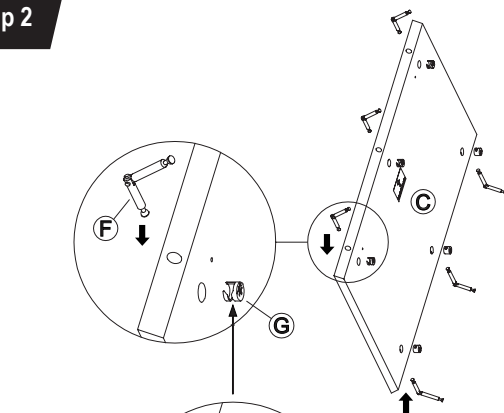


Allen Key x1

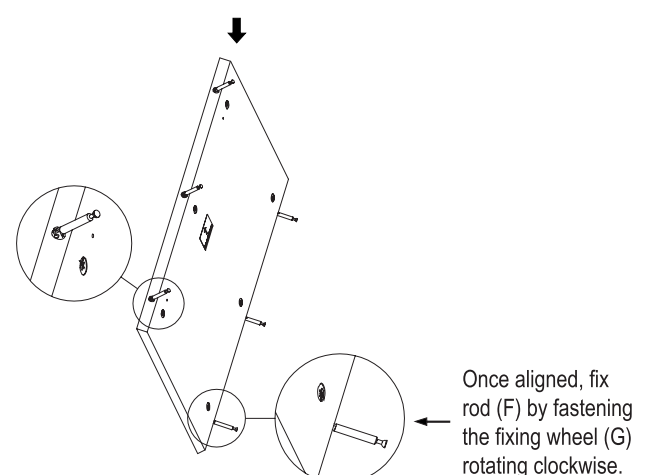
Step 1



Step 2



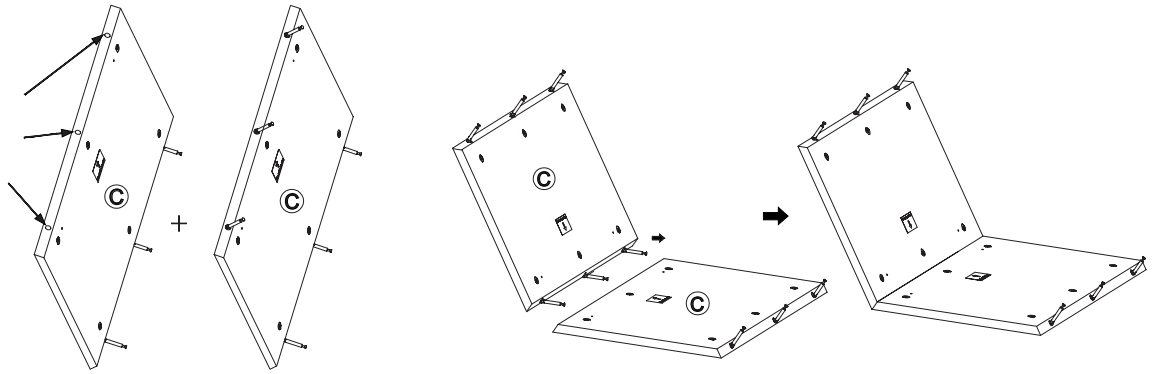
Insert fixing wheel (G) into top panel slot with the arrow pointing towards folding rod (F) entry point.



Once aligned, fix rod (F) by fastening the fixing wheel (G) rotating clockwise.

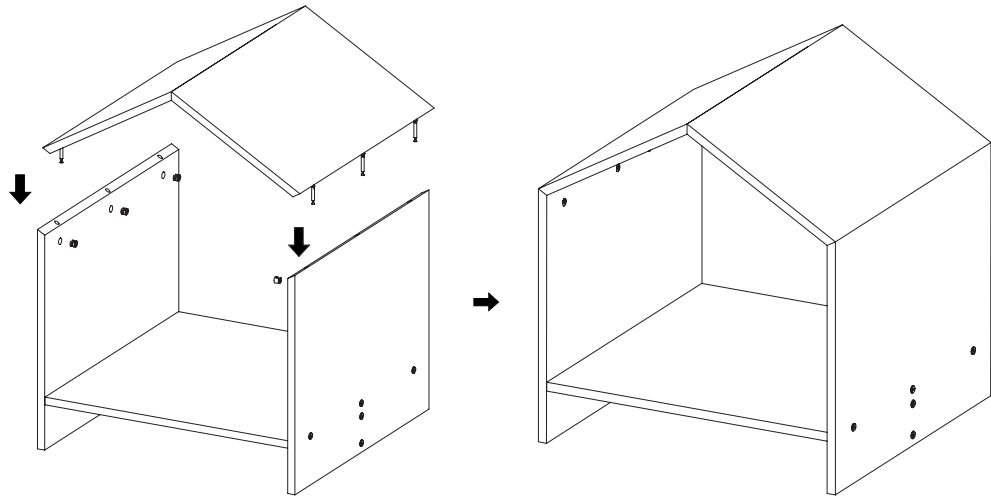
Step 3

Repeat same step before connecting both ends of the top panel (C) and securing with fixing wheel (G).

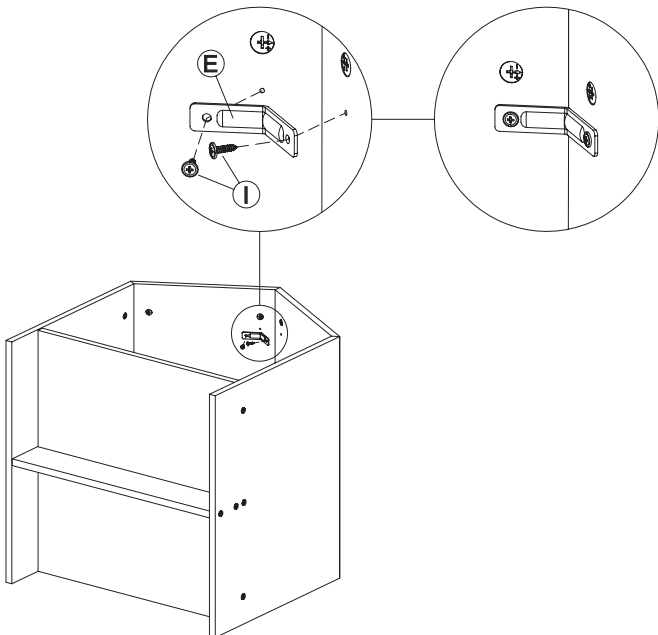


Step 4

Secure the side panel (B) with the top panel (C) by repeating the same process as before.

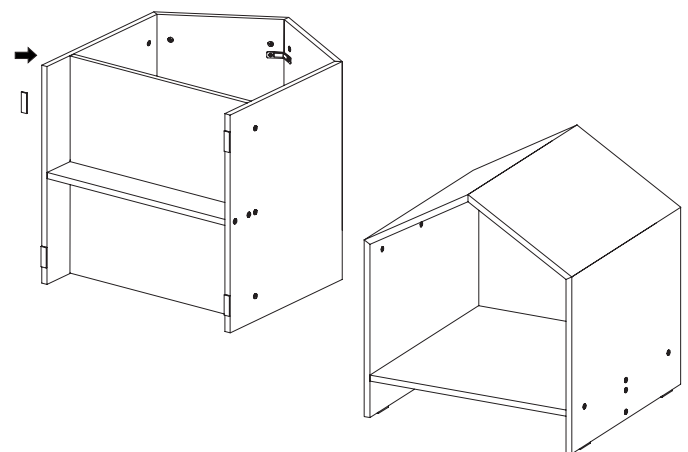
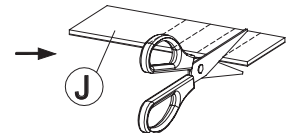


Step 5



Step 6

Using a pair of scissors, cut 4 even pieces from the floor protector adhesive tape (J) and stick to the feet of the side panels (B).



Handy Timber Preservation Hint: While this product has a protectant applied to it during the manufacturing process we strongly suggest that over time you treat your timber surface with a timber preservative. We recommend using a natural outdoor furniture oil or consult a hardware store team member for the best option available. It is recommended that you apply the treatment every six to twelve months depending on the products exposure to the elements.

WARRANTY CONDITIONS: Any claim under this warranty must be made within 1 year of the date of purchase of the product. To make a claim under this warranty, take the product (with proof of purchase) to any Bunnings store (for AUS customers see www.bunnings.com.au and for NZ customers see www.bunnings.co.nz for store locations). Pinnacle Hardware bears reasonable, direct expenses of claiming under the warranty. You may submit details and proof of purchase to our support centre for consideration. The warranty covers manufacturer defects in materials, workmanship and finish under normal use. This warranty is provided in addition to other rights and remedies you may have under law: Our goods come with guarantees that cannot be excluded under the Australian consumer law or Consumer Guarantees Act 1993 (NZ). You are entitled to a replacement or refund for a major failure and compensation for any other reasonably foreseeable loss or damage. You are also entitled to have the goods repaired or replaced if the goods fail to be of acceptable quality and the failure does not amount to a major failure. This warranty excludes damage resulting from product misuse or product neglect, any modifications, additions or alterations to the product including the addition of extra shelves. Additions or modifications can compromise the structure and safety of the product. The warranty covers domestic use only and does not apply to commercial applications. This warranty is given by Pinnacle Hardware, ABN 87 614 496 196, 28 Hudson Court, Keysborough Vic 3173, 1800 349 776, Email: support@pinnacle.net.au. Products sold in New Zealand are imported by Bunnings New Zealand. "Pinnacle" is a trademark © Pinnacle Hardware. Suitable for model number PTC030.