

SAFETY TIP:

When assembling or installing this product wear protective gloves and eyewear.

WARNING

SERIOUS INJURY OR DEATH CAN BE CAUSED BY TOPPLING FURNITURE

TO HELP PREVENT A TIP-OVER:

Anchor this product to a wall or other suitable surface with the provided "Tip over prevention kit". Check anchors regularly

FOR MORE INFORMATION SEARCH: www.productsafety.gov.au

4 Shelf Metal Cabinet

1830H x 760W x 380Dmm Powder Coated

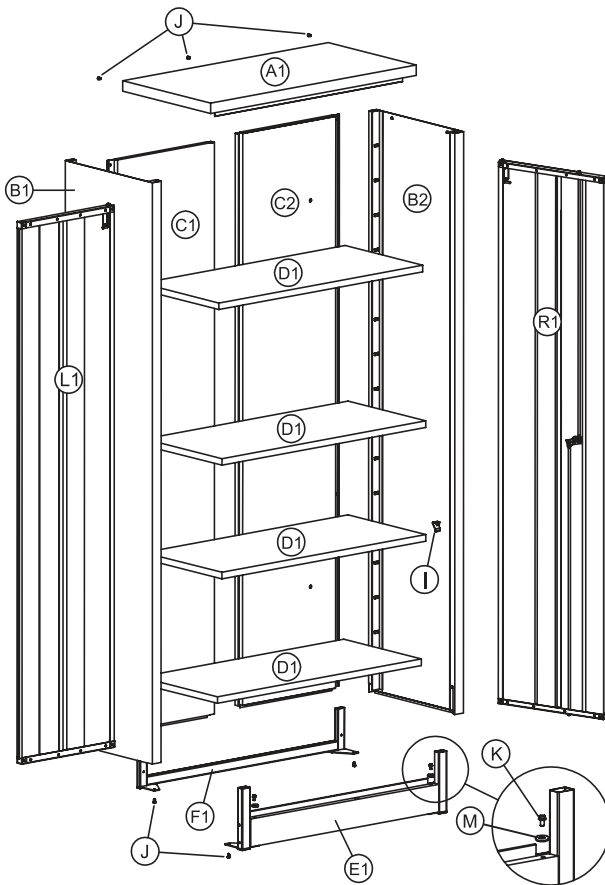
Very Important: Unpack the unit and confirm that you have all the parts listed. Assemble the unit on a solid, level surface. Avoid carpet. You may need the assistance of a second person during assembly.

You will need the following: Phillips-head screwdriver and a rubber mallet.

For your safety the following must be adhered to:

- This cabinet will hold 30kg per shelf.
- Heavier items should be stored on the lower shelves.
- Always distribute items evenly on all shelves.

BOX CONTENTS

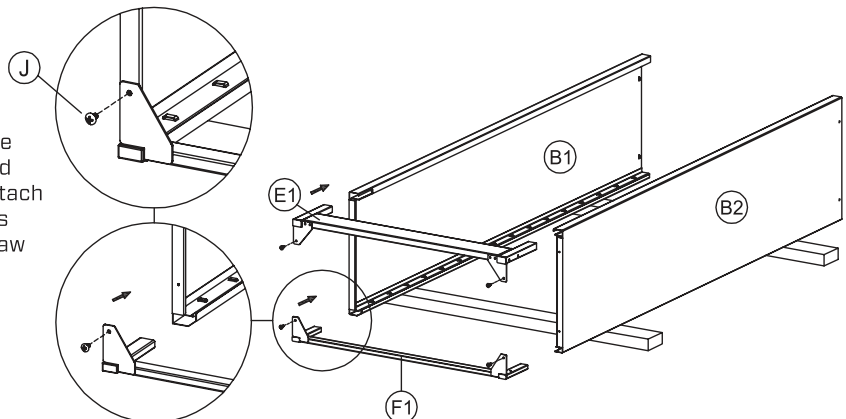


NO.	PARTS NAME	PCS
A1	Top Panel	1 PC
B1	Left side panel	1 PC
B2	Right side panel	1 PC
C1	Left back panel	1 PC
C2	Right back panel	1 PC
D1	Shelf	4 PCS
E1	Front base bracket	1 PC
F1	Back base bracket	1 PC
R1	Right door	1 PC
L1	Left door	1 PC
I	Shelf support	16 PCS
J	M4x10mm Self tapping screw	20 PCS
K	Bottom hinge pin	2 PCS
M	Washer	2 PCS

PLEASE NOTE: Tip-over prevention kit included (refer to last page for installation).

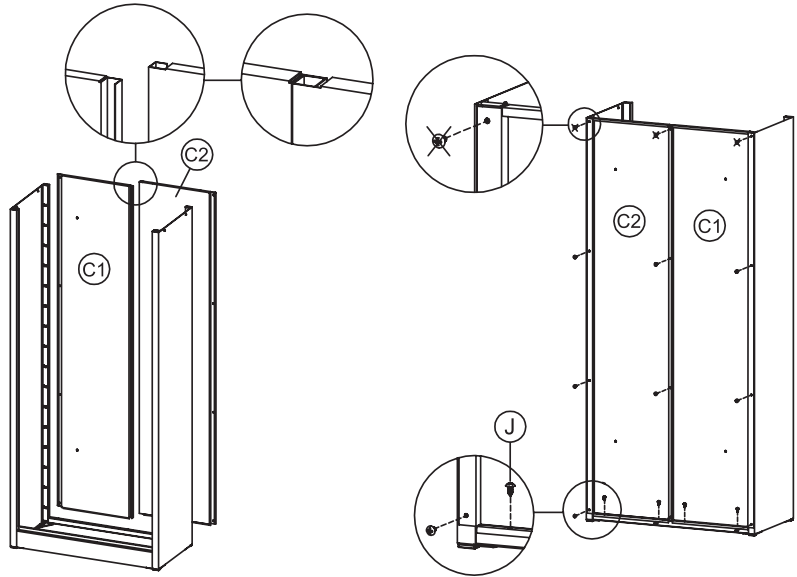
STEP 1

Insert and slide front base bracket (E1) and back base bracket (F1) into the bottom of left side panel (B1) and right side panel (B2) as per the diagram opposite. Attach brackets using a screw (J) in each of the four corners as shown in the diagram. TIP: Use a trestle table or saw horse to make assembling easier.



STEP 2

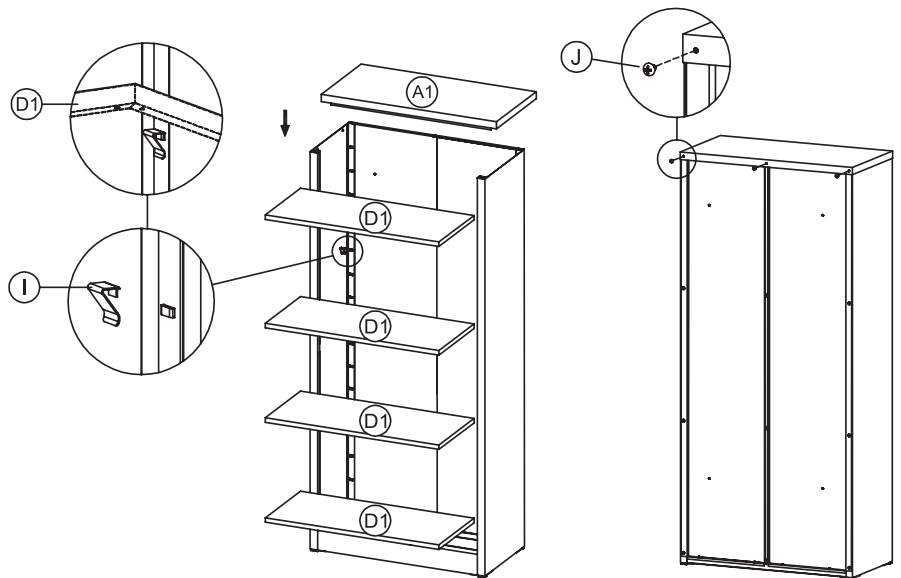
Stand unit upright and install the left back panel (C1) followed by the right back panel (C2). Fix the back panels with self tapping screws (J) as per the diagram opposite. NOTE: At this stage, fix all screws except those marked with a cross. TIP: You will require an extra pair of hands to assist from the opposite side while you fix the screws.



STEP 3

Install the top panel (part A1) ensuring you push it down over the two metal lips at the top of the side panels (parts B1 & B2). This will ensure the three panels are locked in place, allowing you to attach the doors.

Fix the top panel (A1) with the provided self tapping screws (J) as per the diagram opposite. Install the shelf supports (I) in all four corners leveled for each shelf (D1) at desired height.

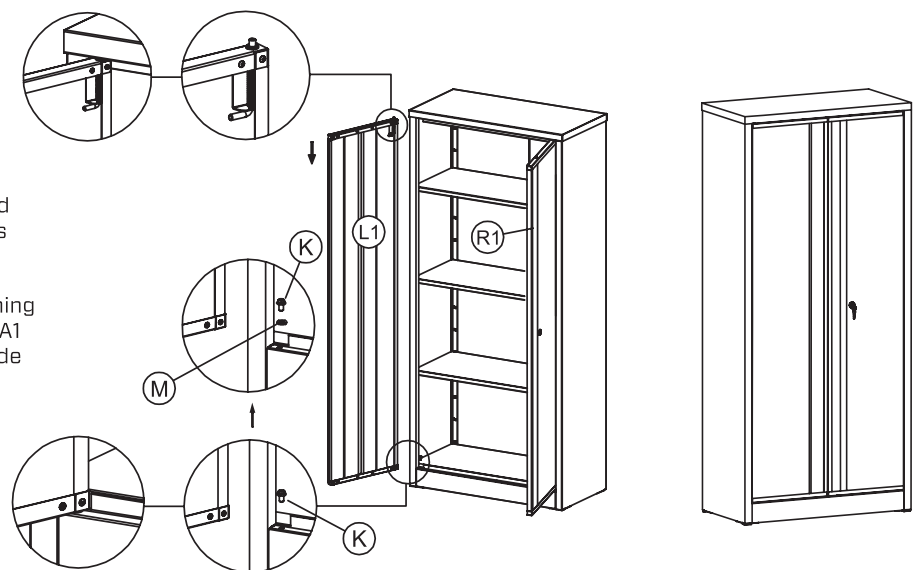


STEP 4

Install the right door (R1) and left door (L1) using the bottom hinge pins (K) and latches on the top. The space between the doors and the top panel can be adjusted using washers (M) if necessary.

Please note: If you are having trouble attaching the doors (parts L1 & R1) please ensure part A1 from "Step 3" has engaged the lips on the side panels and is locked in place.

Please refer to next page for attaching the provided Tip-over prevention kit.



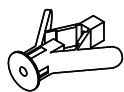


TIP OVER PREVENTION KIT:



PLEASE NOTE: We strongly recommend that this product is permanently fixed to a wall. Please use the provided "Tip over prevention kit" to securely fix product to your wall.

Parts list:



A x2



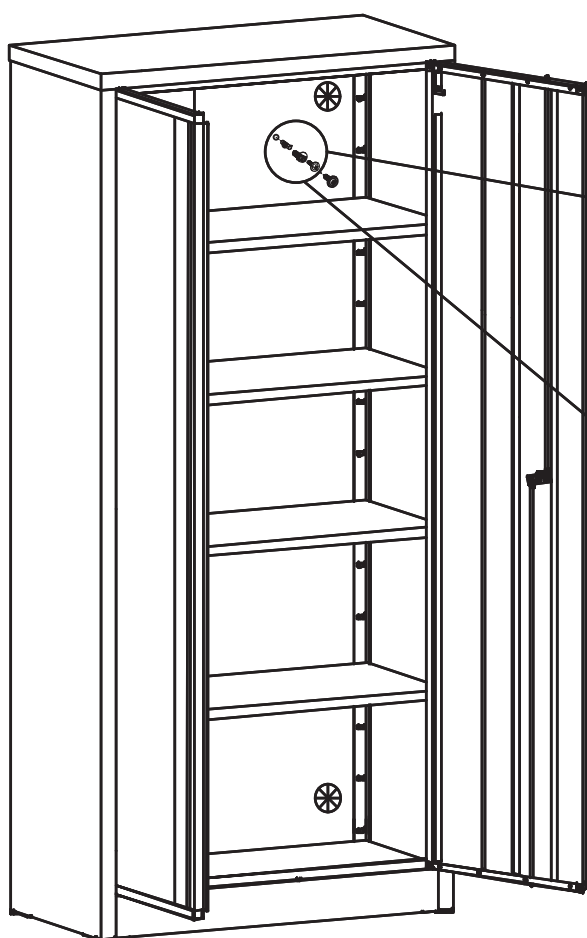
B x2



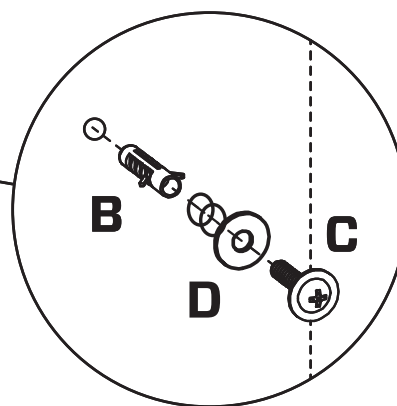
C x2



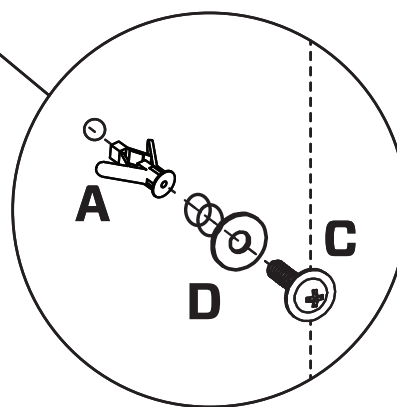
D x2



Final Step (For Brick/Masonry wall):



Final Step (For Plaster wall):



It is **STRONGLY RECOMMENDED** that you **ANCHOR** this product.

Toppling furniture can cause serious injuries and death.

A "Tip over prevention kit" has been provided with this product to stop your furniture from tipping forward, it is strongly recommended that you **securely attach this product** to a wall or other solid surface using the provided fixings.

IMPORTANT: Regularly check that anchors are securely maintained. Stability of tall items may be affected by thick pile carpet or uneven floors.

CAUTION:

For your safety when attaching the anchor fixings, please note the following:

- Check for any electrical wires or plumbing inside the wall before drilling any holes (if you are unsure please seek professional advice from a qualified tradesperson)
- Walls are constructed from different materials, for example, masonry (solid brick) or plasterboard lined cavity walls (hollow). It is important that you use the appropriate wall fixings for your wall type.