

2 DOOR MOBILE CABINET

830H x 665W x 465Dmm

ITEM NO: GOS024

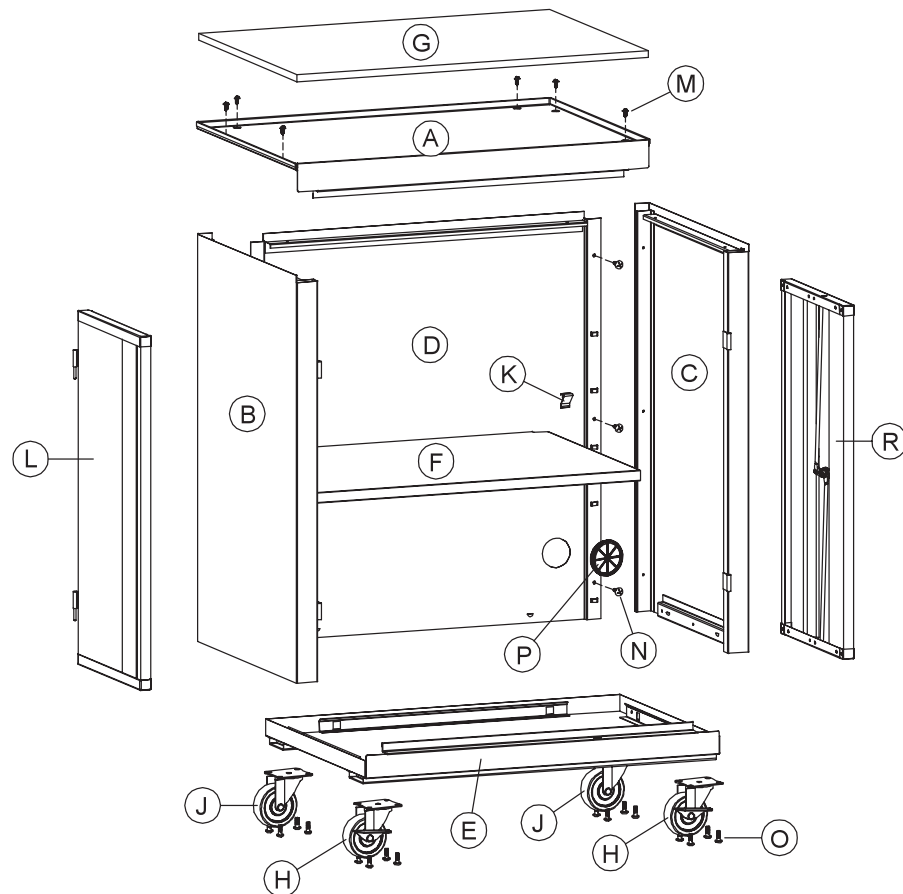
PINNACLE
HARDWARE

POWDER COATED

Very Important: Unpack the unit and confirm that you have all the parts listed. Assemble the unit on a solid, level surface. Avoid carpet. You will need the assistance of a second person during assembly. **You will need the following:** Rubber mallet and Phillips-head screwdriver.

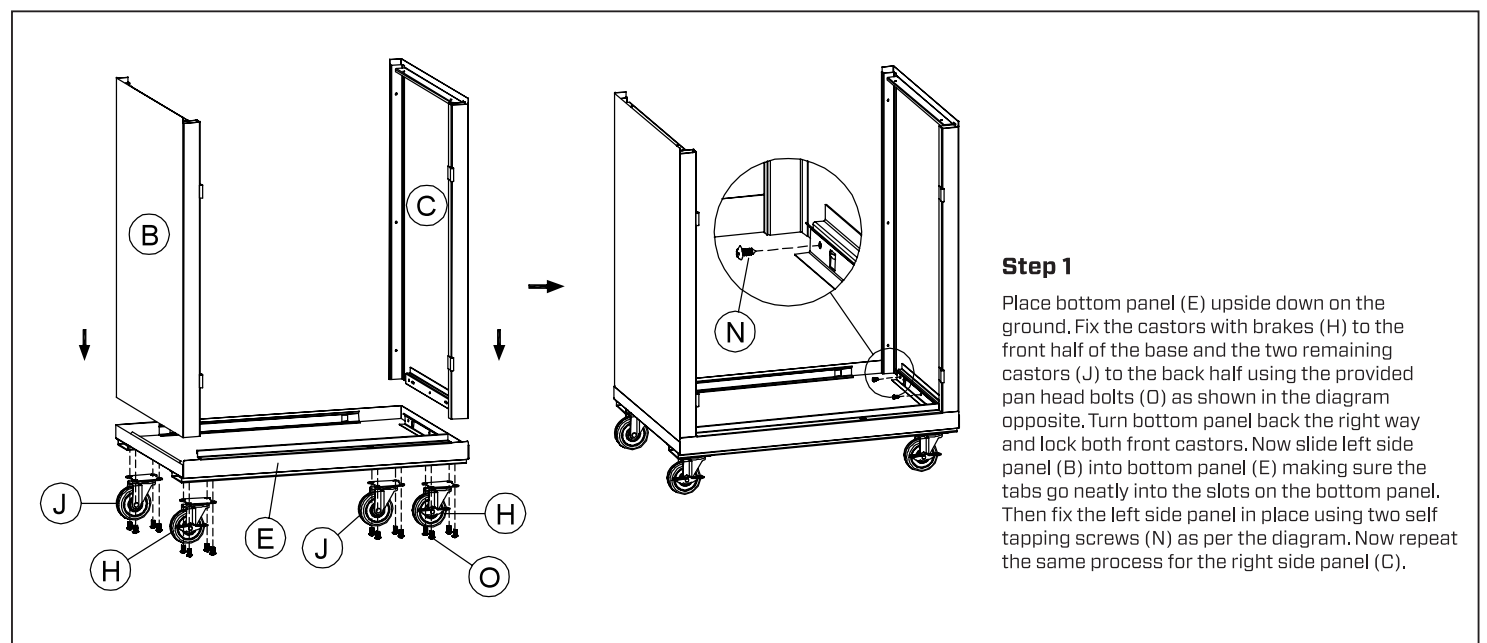
SAFETY TIP:

When assembling or installing this product wear protective gloves and eyewear.



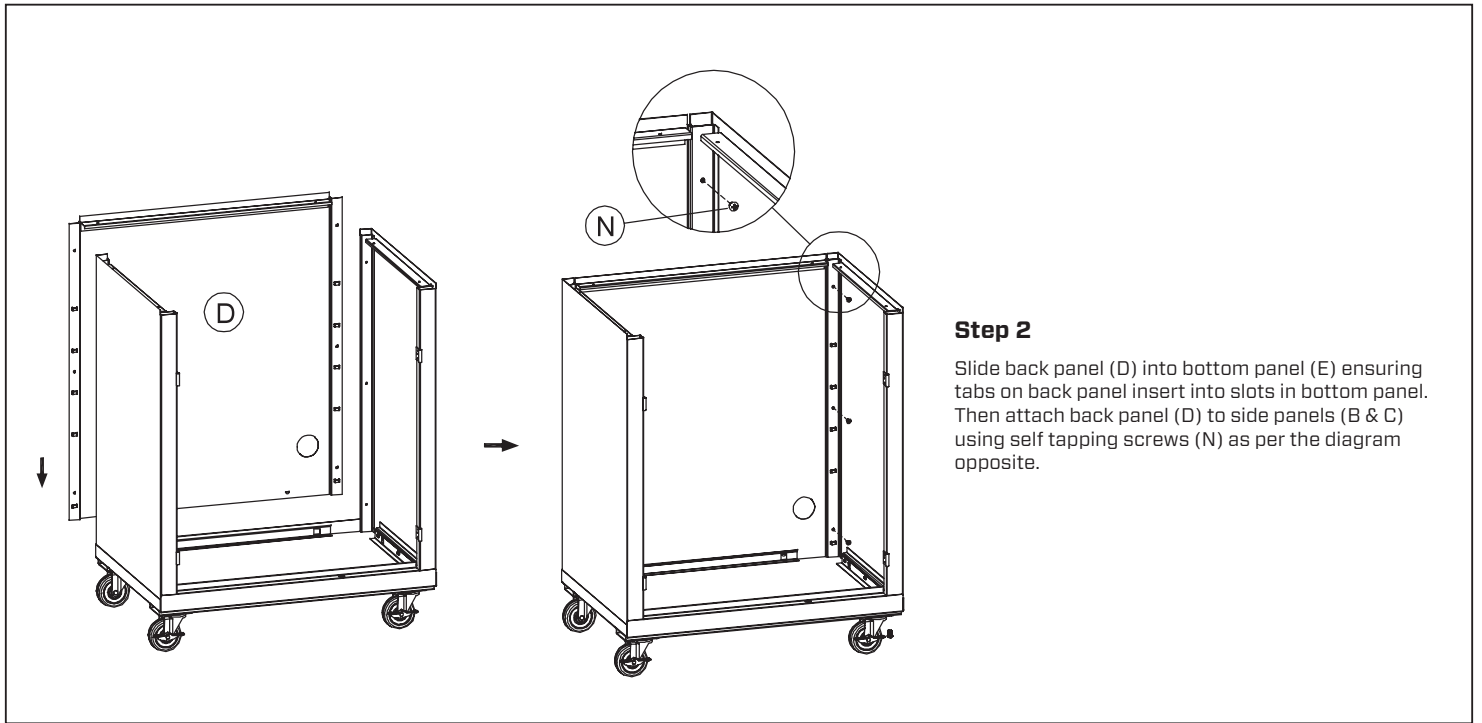
NO	PART NAME	PCS
(A)	Top panel	1 PC
(B)	Left side panel	1 PC
(C)	Right side panel	1 PC
(D)	Back panel	1 PC
(E)	Bottom panel	1 PC
(F)	Shelf	1 PC
(L)	Left door	1 PC
(R)	Right door	1 PC
(G)	MDF board	1 PC
(H)	Castor with brake	2 PCS
(J)	Castor	2 PCS
(K)	Shelf support	4 PCS
(M)	Countersunk screw (8g x 10mm)	6 PCS
(N)	Self tapping screw (8g x 10mm)	12 PCS
(O)	Pan head bolt (M8 x 15mm)	16 PCS
(P)	Wiring grommet	1 PC

Warning: This unit may have sharp edges. Please use gloves when assembling.



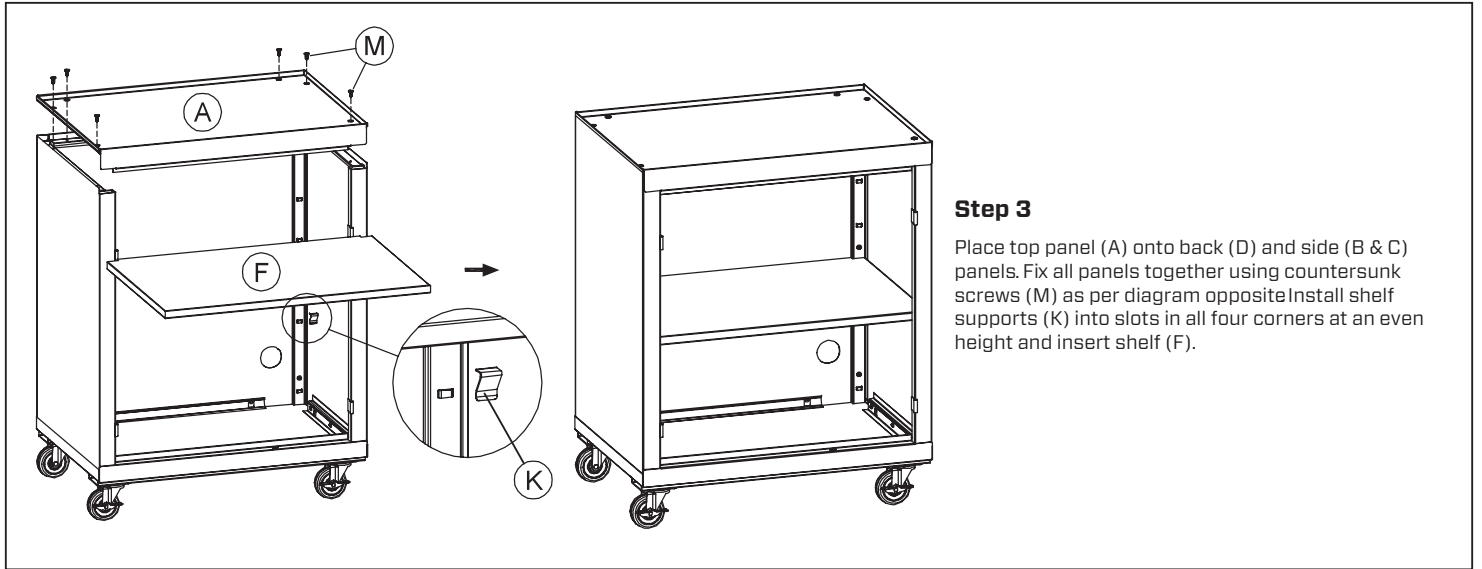
Step 1

Place bottom panel (E) upside down on the ground. Fix the castors with brakes (H) to the front half of the base and the two remaining castors (J) to the back half using the provided pan head bolts (O) as shown in the diagram opposite. Turn bottom panel back the right way and lock both front castors. Now slide left side panel (B) into bottom panel (E) making sure the tabs go neatly into the slots on the bottom panel. Then fix the left side panel in place using two self tapping screws (N) as per the diagram. Now repeat the same process for the right side panel (C).



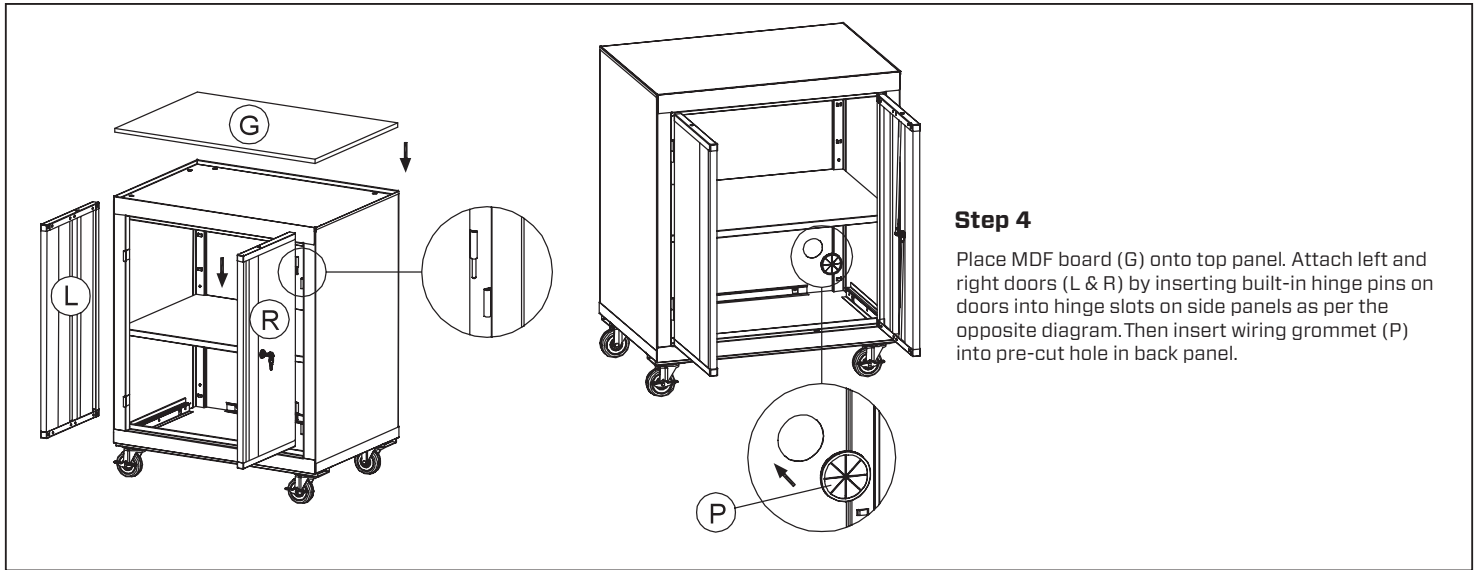
Step 2

Slide back panel (D) into bottom panel (E) ensuring tabs on back panel insert into slots in bottom panel. Then attach back panel (D) to side panels (B & C) using self tapping screws (N) as per the diagram opposite.



Step 3

Place top panel (A) onto back (D) and side (B & C) panels. Fix all panels together using countersunk screws (M) as per diagram opposite. Install shelf supports (K) into slots in all four corners at an even height and insert shelf (F).



Step 4

Place MDF board (G) onto top panel. Attach left and right doors (L & R) by inserting built-in hinge pins on doors into hinge slots on side panels as per the opposite diagram. Then insert wiring grommet (P) into pre-cut hole in back panel.

WARRANTY CONDITIONS
 Any claim under this warranty must be made within 1 year of the date of purchase of the product. To make a claim under this warranty, take the product (with proof of purchase) to any Bunnings store (see www.bunnings.com.au for store locations). Pinnacle Hardware bears reasonable, direct expenses of claiming under the warranty. You may submit details and proof of purchase to our support centre for consideration. The warranty covers manufacturer defects in materials, workmanship and finish under normal use. This warranty is provided in addition to other rights and remedies you may have under law: Our goods come with guarantees that cannot be excluded under the Australian consumer law. You are entitled to a replacement or refund for a major failure and compensation for any other reasonably foreseeable loss or damage. You are also entitled to have the goods repaired or replaced if the goods fail to be of acceptable quality and the failure does not amount to a major failure. This warranty excludes damage resulting from product misuse or product neglect. The warranty covers domestic use only and does not apply to commercial applications. This warranty is given by Pinnacle Hardware, ABN 87 614 496 196, 28 Hudson Court, Keysborough Vic 3173, 1800 349 776, Email: support@pinnacle.net.au. New Zealand customers please contact HARCO (Harkness & Young Ltd), 09 27 64071, Email: sales@harknessyoung.co.nz. 'Pinnacle' is a trademark. © Pinnacle Hardware. Suitable for model number GOS024.