

# GARAGE CABINET

## 1830H x 780W x 465Dmm

ITEM NO: GOS022

**Very Important:** Unpack the unit and confirm that you have all the parts listed. Assemble the unit on a solid, level surface. Avoid carpet. You will need the assistance of a second person during assembly. **Safety tip:** For added safety and support we recommend you fix unit to a wall. **You will need the following:** Rubber mallet and Phillips-head screwdriver.

**WARNING**

SERIOUS INJURY OR DEATH CAN BE CAUSED BY TOPPLING FURNITURE

TO HELP PREVENT A TIP-OVER:

•Anchor this product to a wall or other suitable surface with the provided "Tip over prevention kit". •Check anchors regularly

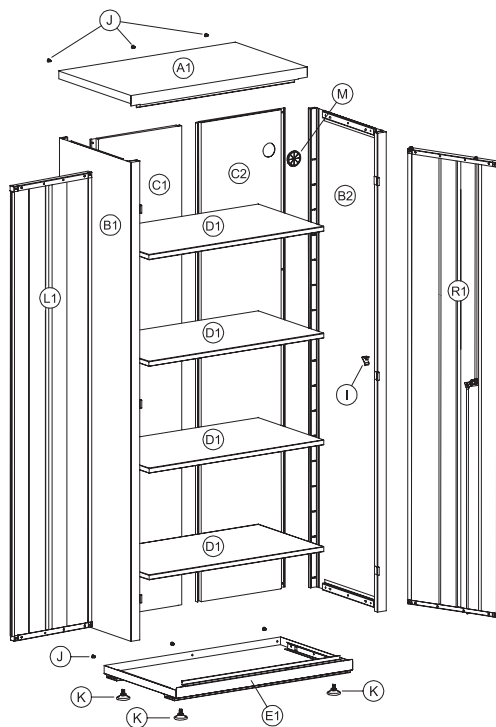
FOR MORE INFORMATION SEARCH: [www.productsafety.gov.au](http://www.productsafety.gov.au)

POWDER  
COATED



**SAFETY TIP:**

When assembling or installing this product wear protective gloves and eyewear.

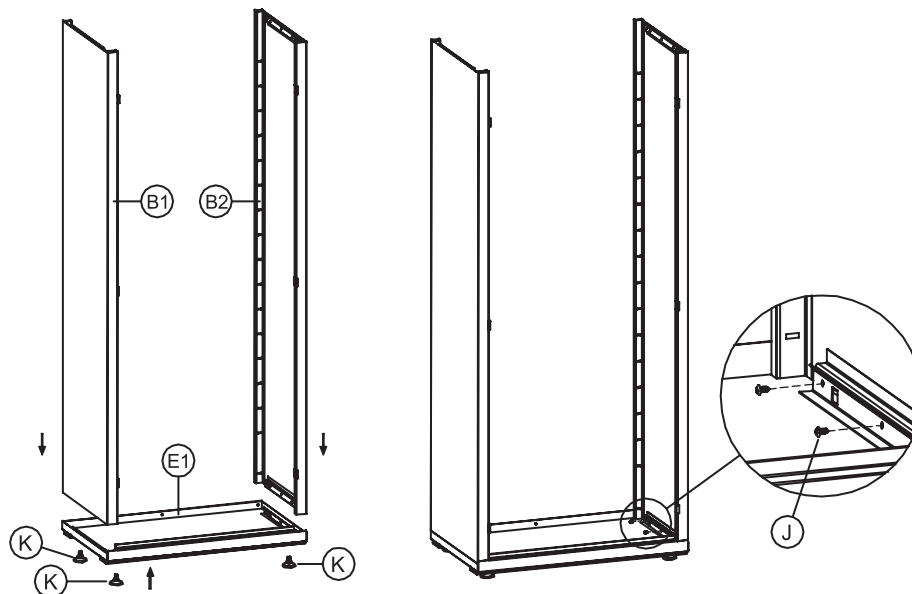


NO	PART LIST	PCS
(A1)	Top panel	1 PC
(B1)	Left side panel	1 PC
(B2)	Right side panel	1 PC
(C1)	Left back panel	1 PC
(C2)	Right back panel	1 PC
(D1)	Shelf	4 PCS
(E1)	Bottom panel	1 PC
(R1)	Right door	1 PC
(L1)	Left door	1 PC
(I)	Shelf support	16 PCS
(J)	Self tapping screw (8g x 10mm)	25 PCS
(K)	Adjustable glide	4 PCS
(M)	Wiring grommet	2 PCS

Warning: This unit may have sharp edges, please use gloves when assembling.

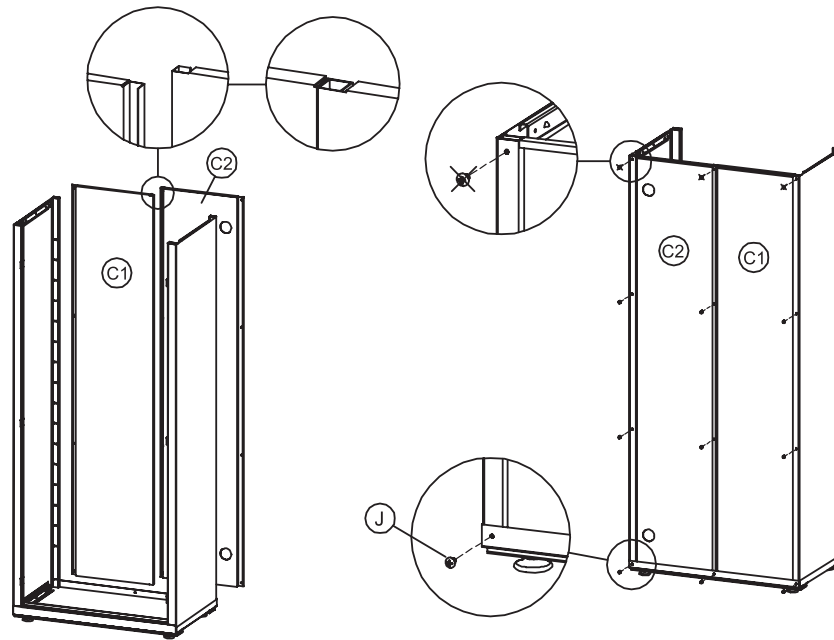
**PLEASE NOTE:** Tip-over prevention kit included (refer to last page for installation).

### Step 1



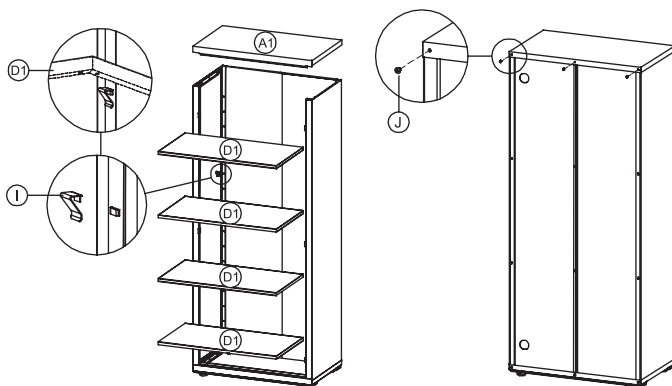
Turn bottom panel (E1) upside down and attach an adjustable glide (K) in each corner. Then turn the bottom panel back up the right way and insert left side panel (B1) ensuring tabs insert neatly into slots in bottom panel. Then fix panel in place using self tapping screws (J). Now repeat the same process for the right side panel (B2).

## Step 2



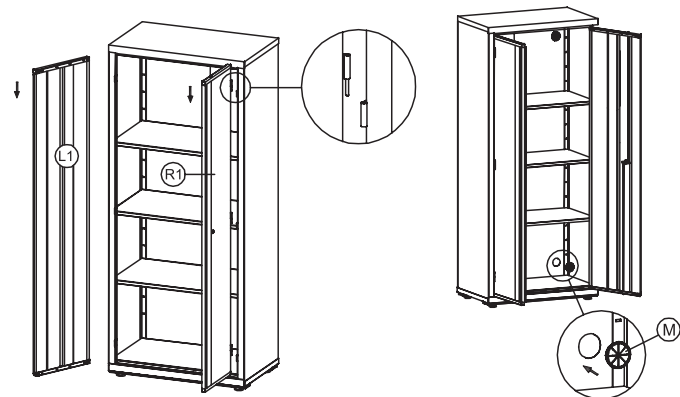
Install the left back panel (C1) followed by the right back panel (C2). Fix the back panels with self tapping screws (J) as per the diagram above. **Note:** At this stage fix all screws except those marked with a cross. **TIP:** You will require an extra pair of hands to assist from the opposite side while you fix the screws.

## Step 3



Install the top panel (A1) and fix it with self tapping screws (J) as per diagram above. Again, you will need an extra pair of hands from the opposite side to assist while you fix the screws. Install the shelf supports (I) in all four corners, leveled for each designated height and then insert the shelves.

## Step 4



Attach left and right doors (L1 & R1) by inserting built-in hinge pins on doors into hinge slots on side panels as per the diagram above. Then insert wiring grommets (M) into pre-cut holes in back panel.

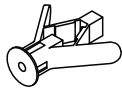
**PLEASE NOTE:** Refer to next page for attaching the provided Tip-over prevention kit.

## TIP OVER PREVENTION KIT:

**PLEASE NOTE:** We strongly recommend that this product is permanently fixed to a wall. Please use the provided “Tip over prevention kit” to securely fix product to your wall.



**Parts list:**



**A x2**



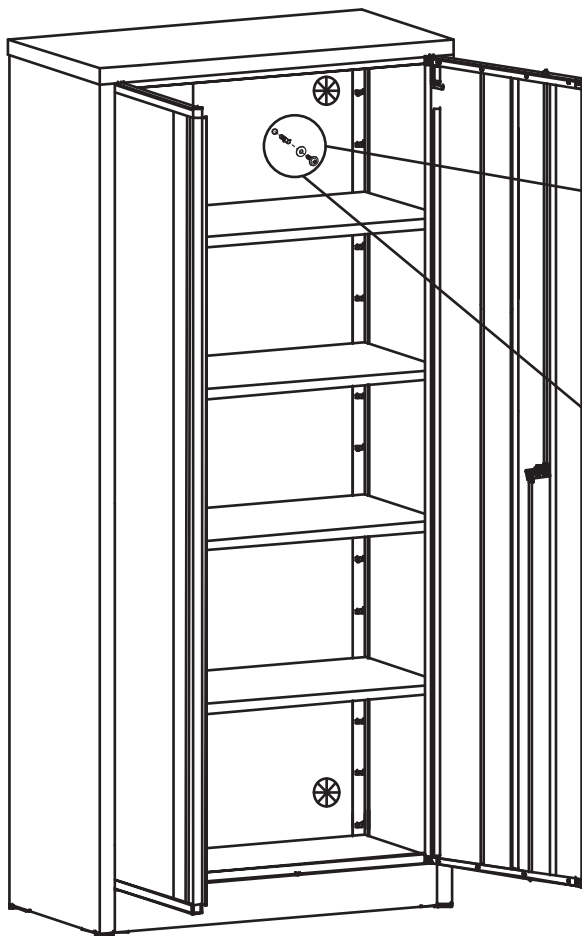
**B x2**



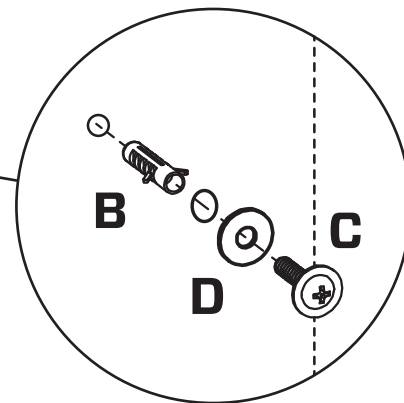
**C x2**



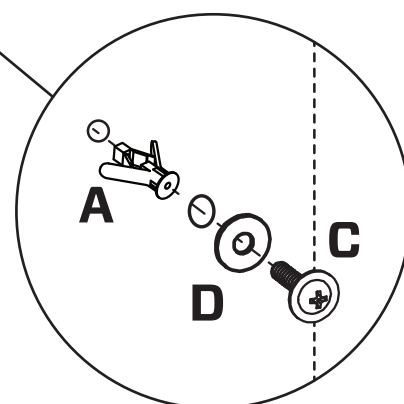
**D x2**



**Final Step (For Brick/Masonry wall):**



**Final Step (For Plaster wall):**



**It is STRONGLY RECOMMENDED that you ANCHOR this product.**

Toppling furniture can cause serious injuries and death.

A “Tip over prevention kit” has been provided with this product to stop your furniture from tipping forward, it is strongly recommended that you **securely attach this product** to a wall or other solid surface using the provided fixings.

**IMPORTANT:** Regularly check that anchors are securely maintained. Stability of tall items may be affected by thick pile carpet or uneven floors.

**CAUTION:**

For your safety when attaching the anchor fixings, please note the following:

- Check for any electrical wires or plumbing inside the wall before drilling any holes (if you are unsure please seek professional advice from a qualified tradesperson)
- Walls are constructed from different materials, for example, masonry (solid brick) or plasterboard lined cavity walls (hollow). It is important that you use the appropriate wall fixings for your wall type.