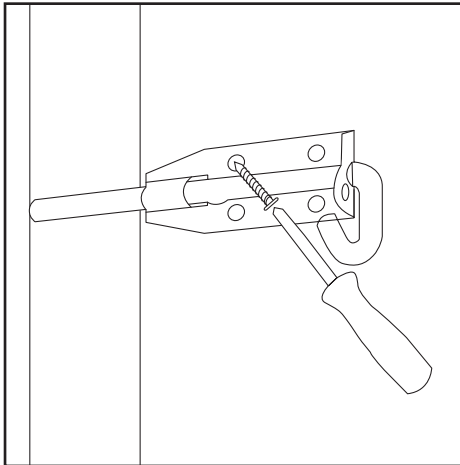


150mm | Adjustable Keeper Heavy Duty Padbolt

Important: For this padbolt, use a padlock that's 40mm or larger.

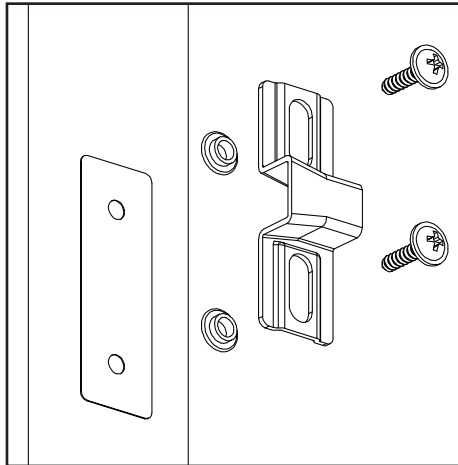
Tools required: Pencil, No.2 Phillips screwdriver, drill and 2mm drill bit.

Installation instructions:



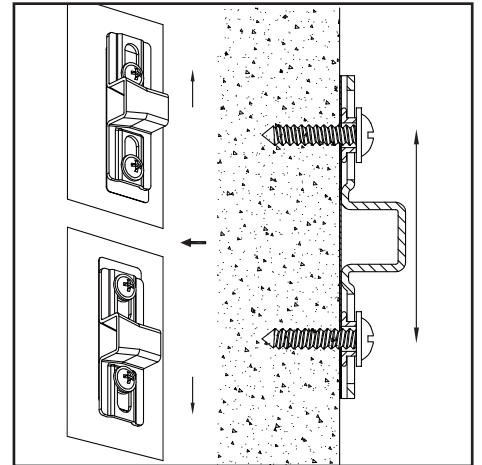
STEP 1:

Position padbolt in desired location. Mark screw locations and drill pilot holes using 2mm drill bit. Fasten with screws provided.



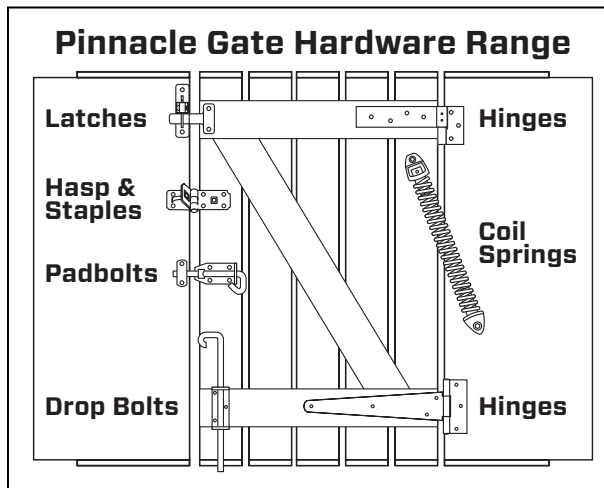
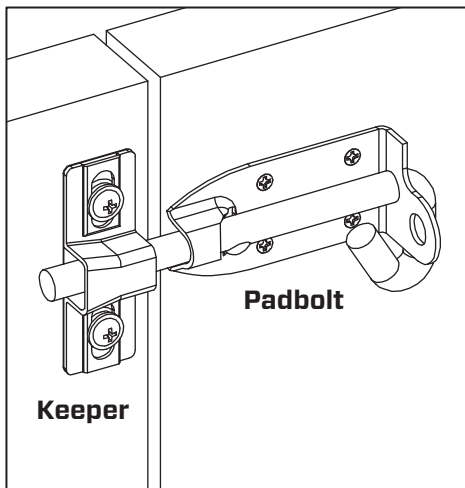
STEP 2:

Assemble Adjustable Keeper; adjustable keeper includes back plate, guides, keeper and screws. Please refer to diagram for components.



STEP 3:

Position adjustable keeper on post, mark and drill 2mm pilot holes. Fasten with screws.



Corrosion Protection Chart

| Finish: | Rating: | | | |
|-----------------|----------|--------|--------|--------|
| Stainless Steel | Ultimate | Shield | Shield | Shield |
| Galvanised | High | Shield | Shield | |
| Zinc Plated | Moderate | Shield | | |

Suitable for model no: GHS009.

CONNECT WITH US!
PINNACLE.NET.AU

