

Sliding Door Double Cylinder Lock

Very Important!

Please fasten all screws by hand and not an electric screwdriver or drill, as over tightening is not recommended.

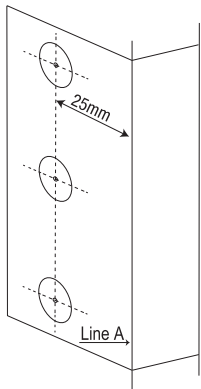
Instructions to install the Sliding Door Double Cylinder Lock.

If installing this lever set into a new door, you will need the following tools: 3mm pilot hole, 9mm drill bit, corded or cordless drill, hammer, wood chisel, Phillips head screwdriver, tape and pencil.

If you are replacing an existing lock, remove your existing lock, clean down surfaces and follow the Installation process.

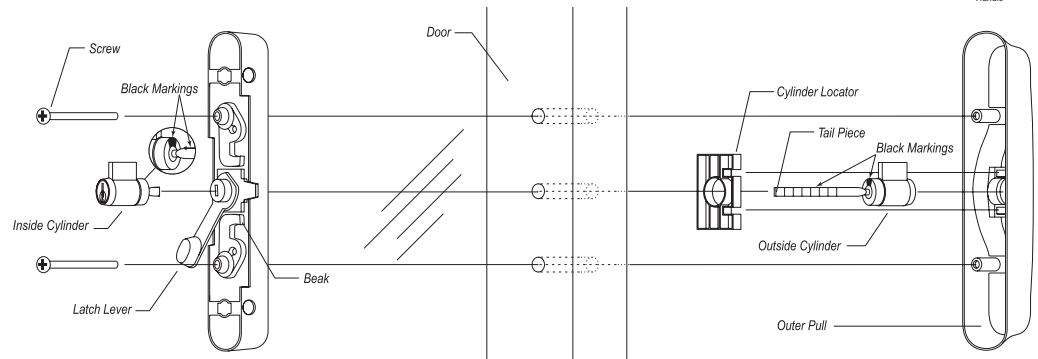
Step 1: Preparation

Correctly place template and fold on line A. Tape it to your sliding door face, at the desired height from the floor level, ensuring that a position is selected either above or below the existing screen door handle so that the handles don't interfere with each other. Drill marked holes using a 3mm pilot hole followed by 9mm drill bit and continue with the installation.



Step 2: Installation of Handle - Please note the Black Markings on Cylinders and Tail Pieces. In order for this lock to work properly, all 4 markings must be facing each other as shown below, with the keys removed.

Remove screws from the Handle to separate it from the Lock Chassis. On a Double Cylinder lock, install both the inside cylinder and the outside cylinder. Feed the Tail Piece through the Cylinder Locator and attach the locator on the Outer Pull. The Tail Piece length is adjustable to suit door thicknesses. Snap at break marks for desired length. Now select two screws to suit your door thickness. • Use 2 x 55mm screws if your Door is 30-35mm thick, • Use 2 x 50mm screws if your Door is 24-30mm thick or • Use 2 x 45mm screws if your Door is 18-25mm thick. Insert your selected length screw through the Lock Chassis through the door and into Handle by hand. The 4 screws remaining can be disposed of.



Step 3: Installing Keeper and Striker

Unscrew the Jacking Screw and loosen the Fixing Screws.

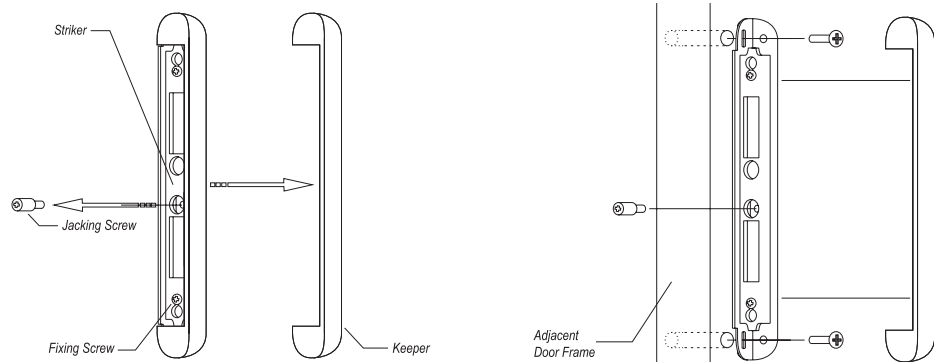
Separate the Keeper from Striker.

Line up the Striker with the Lock Chassis on an adjacent door frame.

Fasten the Striker to the door frame with screws.

Reassemble the Keeper and Striker.

Fixing Screws can be used to adjust Striker up and down to better fit the Beak locking mechanism.



WARRANTY CONDITIONS

Any claim under this warranty must be made within 3 year of the date of purchase of the product. To make a claim under this warranty, take the product (with proof of purchase) to any Bunnings store (see www.bunnings.com.au for store locations). Pinnacle Hardware bears reasonable, direct, expenses of claiming under the warranty. You may submit details and proof of purchase to our support center for consideration. The warranty covers manufacturer defects in materials, workmanship and finish under normal use. This warranty is provided in addition to other rights and remedies you may have under law. Our goods come with guarantees that cannot be excluded under the Australian consumer law. You are entitled to a replacement or refund for a major failure and compensation for any other reasonably foreseeable loss or damage. You are also entitled to have the goods repaired or replaced if the goods fail to be of acceptable quality and the failure does not amount to a major failure. This warranty excludes damage resulting from product misuse or product neglect. The warranty covers domestic use only and does not apply to commercial applications. This warranty is given by Pinnacle Hardware, ABN 87 614 496 196, 28 Hudson Court, Keysborough Vic 3173, 1800 349 776, Email: support@pinnacle.net.au. 'Pinnacle' is a trademark TM © Pinnacle Hardware. Suitable for models DAS018, DAS019 and DAS020.

Sliding Door Double Cylinder Lock

Drilling template - 9mm drill bits

